

XU212-512-FB236 Datasheet

Table of Contents

| | | |
|----|--------------------------------------|----|
| 1 | xCORE Multicore Microcontrollers | 2 |
| 2 | XU212-512-FB236 Features | 4 |
| 3 | Pin Configuration | 5 |
| 4 | Signal Description | 6 |
| 5 | Example Application Diagram | 11 |
| 6 | Product Overview | 12 |
| 7 | PLL | 15 |
| 8 | Boot Procedure | 16 |
| 9 | Memory | 19 |
| 10 | USB PHY | 20 |
| 11 | JTAG | 21 |
| 12 | Board Integration | 23 |
| 13 | DC and Switching Characteristics | 27 |
| 14 | Package Information | 31 |
| 15 | Ordering Information | 32 |
| | Appendices | 33 |
| A | Configuration of the XU212-512-FB236 | 33 |
| B | Processor Status Configuration | 36 |
| C | Tile Configuration | 47 |
| D | Node Configuration | 55 |
| E | USB Node Configuration | 63 |
| F | USB PHY Configuration | 65 |
| G | JTAG, xSCOPE and Debugging | 72 |
| H | Schematics Design Check List | 74 |
| I | PCB Layout Design Check List | 76 |
| J | Associated Design Documentation | 77 |
| K | Related Documentation | 77 |
| L | Revision History | 78 |

TO OUR VALUED CUSTOMERS

It is our intention to provide you with accurate and comprehensive documentation for the hardware and software components used in this product. To subscribe to receive updates, visit <http://www.xmos.com/>.

XMOS Ltd. is the owner or licensee of the information in this document and is providing it to you "AS IS" with no warranty of any kind, express or implied and shall have no liability in relation to its use. XMOS Ltd. makes no representation that the information, or any particular implementation thereof, is or will be free from any claims of infringement and again, shall have no liability in relation to any such claims.

XMOS and the XMOS logo are registered trademarks of XMOS Ltd in the United Kingdom and other countries, and may not be used without written permission. Company and product names mentioned in this document are the trademarks or registered trademarks of their respective owners.

1 xCORE Multicore Microcontrollers

The xCORE200 Series is a comprehensive range of 32-bit multicore microcontrollers that brings the low latency and timing determinism of the xCORE architecture to mainstream embedded applications. Unlike conventional microcontrollers, xCORE multicore microcontrollers execute multiple real-time tasks simultaneously and communicate between tasks using a high speed network. Because xCORE multicore microcontrollers are completely deterministic, you can write software to implement functions that traditionally require dedicated hardware.

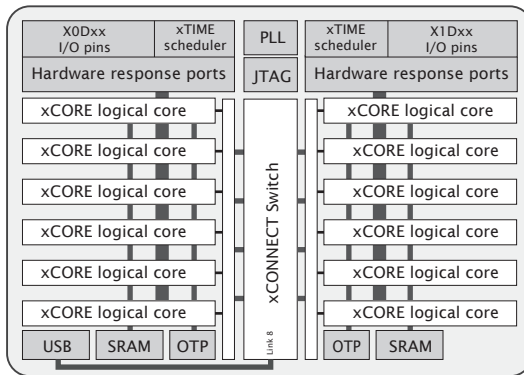


Figure 1:
XU212-512-
FB236 block
diagram

Key features of the XU212-512-FB236 include:

- ▶ **Tiles:** Devices consist of one or more xCORE tiles. Each tile contains between five and eight 32-bit xCOREs with highly integrated I/O and on-chip memory.
- ▶ **Logical cores** Each logical core can execute tasks such as computational code, DSP code, control software (including logic decisions and executing a state machine) or software that handles I/O. Section [6.1](#)
- ▶ **xTIME scheduler** The xTIME scheduler performs functions similar to an RTOS, in hardware. It services and synchronizes events in a core, so there is no requirement for interrupt handler routines. The xTIME scheduler triggers cores on events generated by hardware resources such as the I/O pins, communication channels and timers. Once triggered, a core runs independently and concurrently to other cores, until it pauses to wait for more events. Section [6.2](#)
- ▶ **Channels and channel ends** Tasks running on logical cores communicate using channels formed between two channel ends. Data can be passed synchronously or asynchronously between the channel ends assigned to the communicating tasks. Section [6.5](#)
- ▶ **xCONNECT Switch and Links** Between tiles, channel communications are implemented over a high performance network of xCONNECT Links and routed through a hardware xCONNECT Switch. Section [6.6](#)

- ▶ **Ports** The I/O pins are connected to the processing cores by Hardware Response ports. The port logic can drive its pins high and low, or it can sample the value on its pins optionally waiting for a particular condition. Section [6.3](#)
- ▶ **Clock blocks** xCORE devices include a set of programmable clock blocks that can be used to govern the rate at which ports execute. Section [6.4](#)
- ▶ **Memory** Each xCORE Tile integrates a bank of SRAM for instructions and data, and a block of one-time programmable (OTP) memory that can be configured for system wide security features. Section [9](#)
- ▶ **PLL** The PLL is used to create a high-speed processor clock given a low speed external oscillator. Section [7](#)
- ▶ **USB** The USB PHY provides High-Speed and Full-Speed, device, host, and on-the-go functionality. Data is communicated through ports on the digital node. A library is provided to implement USB device functionality. Section [10](#)
- ▶ **JTAG** The JTAG module can be used for loading programs, boundary scan testing, in-circuit source-level debugging and programming the OTP memory. Section [11](#)

1.1 Software

Devices are programmed using C, C++ or xC (C with multicore extensions). XMos provides tested and proven software libraries, which allow you to quickly add interface and processor functionality such as USB, Ethernet, PWM, graphics driver, and audio EQ to your applications.

1.2 xTIMEcomposer Studio

The xTIMEcomposer Studio development environment provides all the tools you need to write and debug your programs, profile your application, and write images into flash memory or OTP memory on the device. Because xCORE devices operate deterministically, they can be simulated like hardware within xTIMEcomposer: uniquely in the embedded world, xTIMEcomposer Studio therefore includes a static timing analyzer, cycle-accurate simulator, and high-speed in-circuit instrumentation.

xTIMEcomposer can be driven from either a graphical development environment, or the command line. The tools are supported on Windows, Linux and MacOS X and available at no cost from xmos.com/downloads. Information on using the tools is provided in the xTIMEcomposer User Guide, [X3766](#).

2 XU212-512-FB236 Features

▶ **Multicore Microcontroller with Advanced Multi-Core RISC Architecture**

- 12 real-time logical cores on 2 xCORE tiles
- Cores share up to 1000 MIPS
 - Up to 2000 MIPS in dual issue mode
- Each logical core has:
 - Guaranteed throughput of between 1/5 and 1/6 of tile MIPS
 - 16x32bit dedicated registers
- 167 high-density 16/32-bit instructions
 - All have single clock-cycle execution (except for divide)
 - 32x32→64-bit MAC instructions for DSP, arithmetic and user-definable cryptographic functions

▶ **USB PHY, fully compliant with USB 2.0 specification**

▶ **Programmable I/O**

- 128 general-purpose I/O pins, configurable as input or output
 - Up to 32 x 1bit port, 12 x 4bit port, 8 x 8bit port, 4 x 16bit port, 2 x 32bit port
 - 8 xCONNECT links
- Port sampling rates of up to 60 MHz with respect to an external clock
- 64 channel ends (32 per tile) for communication with other cores, on or off-chip

▶ **Memory**

- 512KB internal single-cycle SRAM (max 256KB per tile) for code and data storage
- 16KB internal OTP (max 8KB per tile) for application boot code

▶ **Hardware resources**

- 12 clock blocks (6 per tile)
- 20 timers (10 per tile)
- 8 locks (4 per tile)

▶ **JTAG Module for On-Chip Debug**

▶ **Security Features**

- Programming lock disables debug and prevents read-back of memory contents
- AES bootloader ensures secrecy of IP held on external flash memory

▶ **Ambient Temperature Range**

- Commercial qualification: 0°C to 70°C
- Industrial qualification: -40°C to 85°C

▶ **Speed Grade**

- 20: 1000 MIPS

▶ **Power Consumption**

- 570 mA (typical)

▶ **236-pin FBGA package 0.5 mm pitch**

3 Pin Configuration

| | 1 | 2 | 3 | 4 | 5 | 6 | 7 | 8 | 9 | 10 | 11 | 12 | 13 | 14 | 15 | 16 | 17 | 18 | 19 |
|---|--------------|--------------|--------------|-------------|-------------|-------------------|-------------|--------------|-------------------------|-------------------------|--------------|-------------------------|-------------|-------------|-------------|-------------|--------------|--------------|--------------|
| A | GND | VDDIOL | VDDIOL | | TCK | CLK | | 4F X1D31 | 4F X1D29 | | 8D X1D41 | OTP VCC ⁻ | | NC | MODE[0] | | 4F X0D29 | VDDIOR | GND |
| B | 1B X0D36 | VDDIOL | VDDIOL | TDO | TMS | TRST _N | 4E X1D33 | 4E X1D32 | 4F X1D28 | 4E X1D26 | 8D X1D42 | OTP VCC ⁻ | NC | NC | MODE[1] | 4E X0D33 | 4E X0D32 | VDDIOR | VDDIOR |
| C | 1N X0D37 | 1O X0D38 | VDDIOL | TDI | DEBUG N | RST _N | 1C X1D10 | 1D X1D11 | 4F X1D30 | 4E X1D27 | 8D X1D43 | 8D X1D40 | NC | NC | 4F X0D31 | 4F X0D30 | 4F X0D28 | 4E X0D26 | 4E X0D27 |
| D | | 1P X0D39 | 8D X0D40 | | | | | | | | | | | | | | 1K X0D34 | 1L X0D35 | |
| E | 8D X0D43 | 8D X0D42 | 8D X0D41 | | | | | | | | | | | | | | 1J X0D25 | 1I X0D24 | 1B X1D01 |
| F | 1K X1D34 | 1M X1D35 | 1M X1D36 | | | | NC | VDD | VDD | VDDIOT | VDD | VDD | PLL AVDD | PLL AGND | | | 4A X1D08 | 4F X1D09 | 1A X1D00 |
| G | | 32A X1D49 | 32A X1D50 | | | VDD | | GND | | GND | | GND | | VDD | | | 32A X0D69 | 32A X0D70 | |
| H | 32A X1D53 | 32A X1D52 | 32A X1D51 | | | VDD | GND | GND | GND | GND | GND | GND | GND | VDD | | | 32A X0D68 | 32A X0D67 | 32A X0D66 |
| J | 32A X1D54 | 32A X1D55 | 32A X1D56 | | | VDD | | GND | | GND | | GND | | VDD | | | 32A X0D63 | 32A X0D64 | 32A X0D65 |
| K | | 32A X1D58 | 32A X1D57 | | | VDD | GND | GND | GND | GND | GND | GND | GND | VDD | | | 32A X0D62 | 32A X0D61 | |
| L | 32A X1D63 | 32A X1D62 | 32A X1D61 | | | VDD | | GND | | GND | | GND | | VDD | | | 32A X0D58 | 32A X0D57 | 32A X0D56 |
| M | 32A X1D64 | 32A X1D65 | 32A X1D66 | | | VDD | GND | GND | GND | GND | GND | GND | GND | VDD | | | 32A X0D53 | 32A X0D54 | 32A X0D55 |
| N | | 32A X1D67 | 32A X1D68 | | | VDD | | GND | | GND | | GND | | VDD | | | 32A X0D51 | 32A X0D52 | |
| P | 32A X1D70 | 32A X1D69 | 1N X1D37 | | | VDD | VDD | VDD | USB VDD ⁻ | USB VDD ⁻ | VDD | VDD | VDD | NC | | | 4B X1D07 | 32A X0D50 | 32A X0D49 |
| R | 1D X1D38 | 1P X1D39 | 4D X1D17 | | | | | | | | | | | | | | 4A X1D03 | 4B X1D05 | 4B X1D06 |
| T | | 4D X1D16 | 4D X1D18 | | | | | | | | | | | | | | 4B X1D02 | 4B X1D04 | |
| U | 1C X0D10 | 1B X0D01 | 4D X1D19 | 1A X0D00 | 1D X0D11 | 4B X0D07 | 1E X1D12 | USB VDD33 | USB VBUS | USB ID ⁻ | USB VSSAC | NC | 1I X1D24 | 1G X0D22 | 1F X0D13 | 1H X0D23 | 4D X0D19 | 4D X0D18 | 4D X0D17 |
| V | 1G X1D22 | VDDIOL | VDDIOL | 4B X0D04 | 4B X0D06 | 4A X0D03 | 4A X0D08 | 4A X0D09 | USB DM | USB DP ⁻ | 4C X1D21 | 4C X1D14 | 1J X1D25 | 4C X0D21 | 4C X0D14 | 1E X0D12 | VDDIOR | VDDIOR | 4D X0D16 |
| W | GND | VDDIOL | X1D23 | | 4B X0D05 | 4A X0D02 | | 1P X1D13 | USB RTUNE | | 4C X1D20 | 4C X1D15 | | 4C X0D20 | 4C X0D15 | | VDDIOR | VDDIOR | GND |

4 Signal Description

This section lists the signals and I/O pins available on the XU212-512-FB236. The device provides a combination of 1bit, 4bit, 8bit and 16bit ports, as well as wider ports that are fully or partially (gray) bonded out. All pins of a port provide either output or input, but signals in different directions cannot be mapped onto the same port.

Pins may have one or more of the following properties:

- ▶ PD/PU: The IO pin has a weak pull-down or pull-up resistor. On GPIO pins this resistor can be enabled. This resistor is designed to ensure defined logic input state for unconnected pins. It should not be used to pull external circuitry. Note that the resistors are highly non-linear and only a maximum pull current is specified in Section 13.2.
- ▶ ST: The IO pin has a Schmitt Trigger on its input.
- ▶ IOL/IOT/IOR: The IO pin is powered from VDDIOL, VDDIOT, and VDDIOR respectively

| Power pins (11) | | | |
|-----------------|---------------------------|------|------------|
| Signal | Function | Type | Properties |
| GND | Digital ground | GND | |
| OTP_VCC | OTP power supply | PWR | |
| PLL_AGND | Analog ground for PLL | PWR | |
| PLL_AVDD | Analog PLL power | PWR | |
| USB_VDD | Digital tile power | PWR | |
| USB_VDD33 | USB Analog power | PWR | |
| USB_VSSAC | USB analog ground | GND | |
| VDD | Digital tile power | PWR | |
| VDDIOL | Digital I/O power (left) | PWR | |
| VDDIOR | Digital I/O power (right) | PWR | |
| VDDIOT | Digital I/O power (top) | PWR | |

| JTAG pins (6) | | | |
|---------------|--------------------|--------|-------------|
| Signal | Function | Type | Properties |
| RST_N | Global reset input | Input | IOL, PU, ST |
| TCK | Test clock | Input | IOL, PD, ST |
| TDI | Test data input | Input | IOL, PU |
| TDO | Test data output | Output | IOL, PD |
| TMS | Test mode select | Input | IOL, PU |
| TRST_N | Test reset input | Input | IOL, PU, ST |

| I/O pins (128) | | | | | |
|----------------|---|---|------|------------|--|
| Signal | Function | | Type | Properties | |
| X0D00 | | 1A ⁰ | I/O | IOL, PD | |
| X0D01 | X ₀ L3 _{out} ² | 1B ⁰ | I/O | IOL, PD | |
| X0D02 | | 4A ⁰ 8A ⁰ 16A ⁰ 32A ²⁰ | I/O | IOL, PD | |
| X0D03 | | 4A ¹ 8A ¹ 16A ¹ 32A ²¹ | I/O | IOL, PD | |
| X0D04 | | 4B ⁰ 8A ² 16A ² 32A ²² | I/O | IOL, PD | |
| X0D05 | | 4B ¹ 8A ³ 16A ³ 32A ²³ | I/O | IOL, PD | |
| X0D06 | | 4B ² 8A ⁴ 16A ⁴ 32A ²⁴ | I/O | IOL, PD | |
| X0D07 | | 4B ³ 8A ⁵ 16A ⁵ 32A ²⁵ | I/O | IOL, PD | |
| X0D08 | | 4A ² 8A ⁶ 16A ⁶ 32A ²⁶ | I/O | IOL, PD | |
| X0D09 | | 4A ³ 8A ⁷ 16A ⁷ 32A ²⁷ | I/O | IOL, PD | |
| X0D10 | X ₀ L3 _{out} ³ | 1C ⁰ | I/O | IOL, PD | |
| X0D11 | | 1D ⁰ | I/O | IOL, PD | |
| X0D12 | | 1E ⁰ | I/O | IOR, PD | |
| X0D13 | | 1F ⁰ | I/O | IOR, PD | |
| X0D14 | | 4C ⁰ 8B ⁰ 16A ⁸ 32A ²⁸ | I/O | IOR, PD | |
| X0D15 | | 4C ¹ 8B ¹ 16A ⁹ 32A ²⁹ | I/O | IOR, PD | |
| X0D16 | X ₀ L4 _{in} ⁴ | 4D ⁰ 8B ² 16A ¹⁰ | I/O | IOR, PD | |
| X0D17 | X ₀ L4 _{in} ³ | 4D ¹ 8B ³ 16A ¹¹ | I/O | IOR, PD | |
| X0D18 | X ₀ L4 _{in} ² | 4D ² 8B ⁴ 16A ¹² | I/O | IOR, PD | |
| X0D19 | X ₀ L4 _{in} ¹ | 4D ³ 8B ⁵ 16A ¹³ | I/O | IOR, PD | |
| X0D20 | | 4C ² 8B ⁶ 16A ¹⁴ 32A ³⁰ | I/O | IOR, PD | |
| X0D21 | | 4C ³ 8B ⁷ 16A ¹⁵ 32A ³¹ | I/O | IOR, PD | |
| X0D22 | | 1G ⁰ | I/O | IOR, PD | |
| X0D23 | | 1H ⁰ | I/O | IOR, PD | |
| X0D24 | X ₀ L7 _{in} ⁰ | 1I ⁰ | I/O | IOR, PD | |
| X0D25 | X ₀ L7 _{out} ⁰ | 1J ⁰ | I/O | IOR, PD | |
| X0D26 | X ₀ L7 _{out} ³ | 4E ⁰ 8C ⁰ 16B ⁰ | I/O | IOR, PD | |
| X0D27 | X ₀ L7 _{out} ⁴ | 4E ¹ 8C ¹ 16B ¹ | I/O | IOR, PD | |
| X0D28 | | 4F ⁰ 8C ² 16B ² | I/O | IOR, PD | |
| X0D29 | | 4F ¹ 8C ³ 16B ³ | I/O | IOR, PD | |
| X0D30 | | 4F ² 8C ⁴ 16B ⁴ | I/O | IOR, PD | |
| X0D31 | | 4F ³ 8C ⁵ 16B ⁵ | I/O | IOR, PD | |
| X0D32 | | 4E ² 8C ⁶ 16B ⁶ | I/O | IOR, PD | |
| X0D33 | | 4E ³ 8C ⁷ 16B ⁷ | I/O | IOR, PD | |
| X0D34 | X ₀ L7 _{out} ¹ | 1K ⁰ | I/O | IOR, PD | |
| X0D35 | X ₀ L7 _{out} ² | 1L ⁰ | I/O | IOR, PD | |
| X0D36 | | 1M ⁰ 8D ⁰ 16B ⁸ | I/O | IOL, PD | |
| X0D37 | X ₀ L0 _{in} ⁴ | 1N ⁰ 8D ¹ 16B ⁹ | I/O | IOL, PD | |
| X0D38 | X ₀ L0 _{in} ³ | 1O ⁰ 8D ² 16B ¹⁰ | I/O | IOL, PD | |
| X0D39 | X ₀ L0 _{in} ² | 1P ⁰ 8D ³ 16B ¹¹ | I/O | IOL, PD | |
| X0D40 | X ₀ L0 _{in} ¹ | 8D ⁴ 16B ¹² | I/O | IOL, PD | |

(continued)

| Signal | Function | Type | Properties |
|--------|--|------|------------|
| X0D41 | $X_0L0_{in}^0$ 8D ⁵ 16B ¹³ | I/O | IOL, PD |
| X0D42 | $X_0L0_{out}^0$ 8D ⁶ 16B ¹⁴ | I/O | IOL, PD |
| X0D43 | $X_0L0_{out}^0$ 8D ⁷ 16B ¹⁵ | I/O | IOL, PD |
| X0D49 | $X_0L5_{in}^4$ 32A ⁰ | I/O | IOR, PD |
| X0D50 | $X_0L5_{in}^3$ 32A ¹ | I/O | IOR, PD |
| X0D51 | $X_0L5_{in}^2$ 32A ² | I/O | IOR, PD |
| X0D52 | $X_0L5_{in}^1$ 32A ³ | I/O | IOR, PD |
| X0D53 | $X_0L5_{in}^0$ 32A ⁴ | I/O | IOR, PD |
| X0D54 | $X_0L5_{out}^0$ 32A ⁵ | I/O | IOR, PD |
| X0D55 | $X_0L5_{out}^1$ 32A ⁶ | I/O | IOR, PD |
| X0D56 | $X_0L5_{out}^2$ 32A ⁷ | I/O | IOR, PD |
| X0D57 | $X_0L5_{out}^3$ 32A ⁸ | I/O | IOR, PD |
| X0D58 | $X_0L5_{out}^4$ 32A ⁹ | I/O | IOR, PD |
| X0D61 | $X_0L6_{in}^4$ 32A ¹⁰ | I/O | IOR, PD |
| X0D62 | $X_0L6_{in}^3$ 32A ¹¹ | I/O | IOR, PD |
| X0D63 | $X_0L6_{in}^2$ 32A ¹² | I/O | IOR, PD |
| X0D64 | $X_0L6_{in}^1$ 32A ¹³ | I/O | IOR, PD |
| X0D65 | $X_0L6_{in}^0$ 32A ¹⁴ | I/O | IOR, PD |
| X0D66 | $X_0L6_{out}^0$ 32A ¹⁵ | I/O | IOR, PD |
| X0D67 | $X_0L6_{out}^1$ 32A ¹⁶ | I/O | IOR, PD |
| X0D68 | $X_0L6_{out}^2$ 32A ¹⁷ | I/O | IOR, PD |
| X0D69 | $X_0L6_{out}^3$ 32A ¹⁸ | I/O | IOR, PD |
| X0D70 | $X_0L6_{out}^4$ 32A ¹⁹ | I/O | IOR, PD |
| X1D00 | $X_0L7_{in}^2$ 1A ⁰ | I/O | IOR, PD |
| X1D01 | $X_0L7_{in}^1$ 1B ⁰ | I/O | IOR, PD |
| X1D02 | $X_0L4_{in}^0$ 4A ⁰ 8A ⁰ 16A ⁰ 32A ²⁰ | I/O | IOR, PD |
| X1D03 | $X_0L4_{out}^0$ 4A ¹ 8A ¹ 16A ¹ 32A ²¹ | I/O | IOR, PD |
| X1D04 | $X_0L4_{out}^1$ 4B ⁰ 8A ² 16A ² 32A ²² | I/O | IOR, PD |
| X1D05 | $X_0L4_{out}^2$ 4B ¹ 8A ³ 16A ³ 32A ²³ | I/O | IOR, PD |
| X1D06 | $X_0L4_{out}^3$ 4B ² 8A ⁴ 16A ⁴ 32A ²⁴ | I/O | IOR, PD |
| X1D07 | $X_0L4_{out}^4$ 4B ³ 8A ⁵ 16A ⁵ 32A ²⁵ | I/O | IOR, PD |
| X1D08 | $X_0L7_{in}^4$ 4A ² 8A ⁶ 16A ⁶ 32A ²⁶ | I/O | IOR, PD |
| X1D09 | $X_0L7_{in}^3$ 4A ³ 8A ⁷ 16A ⁷ 32A ²⁷ | I/O | IOR, PD |
| X1D10 | 1C ⁰ | I/O | IOT, PD |
| X1D11 | 1D ⁰ | I/O | IOT, PD |
| X1D12 | 1E ⁰ | I/O | IOL, PD |
| X1D13 | 1F ⁰ | I/O | IOL, PD |
| X1D14 | 4C ⁰ 8B ⁰ 16A ⁸ 32A ²⁸ | I/O | IOR, PD |
| X1D15 | 4C ¹ 8B ¹ 16A ⁹ 32A ²⁹ | I/O | IOR, PD |
| X1D16 | $X_0L3_{in}^1$ 4D ⁰ 8B ² 16A ¹⁰ | I/O | IOL, PD |
| X1D17 | $X_0L3_{in}^0$ 4D ¹ 8B ³ 16A ¹¹ | I/O | IOL, PD |
| X1D18 | $X_0L3_{out}^0$ 4D ² 8B ⁴ 16A ¹² | I/O | IOL, PD |
| X1D19 | $X_0L3_{out}^1$ 4D ³ 8B ⁵ 16A ¹³ | I/O | IOL, PD |

(continued)

| Signal | Function | Type | Properties |
|--------|--|------|------------|
| X1D20 | 4C ² 8B ⁶ 16A ¹⁴ 32A ³⁰ | I/O | IOR, PD |
| X1D21 | 4C ³ 8B ⁷ 16A ¹⁵ 32A ³¹ | I/O | IOR, PD |
| X1D22 | X ₀ L3 _{out} ⁴ 1G ⁰ | I/O | IOL, PD |
| X1D23 | 1H ⁰ | I/O | IOL, PD |
| X1D24 | 1I ⁰ | I/O | IOR, PD |
| X1D25 | 1J ⁰ | I/O | IOR, PD |
| X1D26 | 4E ⁰ 8C ⁰ 16B ⁰ | I/O | IOT, PD |
| X1D27 | 4E ¹ 8C ¹ 16B ¹ | I/O | IOT, PD |
| X1D28 | 4F ⁰ 8C ² 16B ² | I/O | IOT, PD |
| X1D29 | 4F ¹ 8C ³ 16B ³ | I/O | IOT, PD |
| X1D30 | 4F ² 8C ⁴ 16B ⁴ | I/O | IOT, PD |
| X1D31 | 4F ³ 8C ⁵ 16B ⁵ | I/O | IOT, PD |
| X1D32 | 4E ² 8C ⁶ 16B ⁶ | I/O | IOT, PD |
| X1D33 | 4E ³ 8C ⁷ 16B ⁷ | I/O | IOT, PD |
| X1D34 | X ₀ L0 _{out} ² 1K ⁰ | I/O | IOL, PD |
| X1D35 | X ₀ L0 _{out} ³ 1L ⁰ | I/O | IOL, PD |
| X1D36 | X ₀ L0 _{out} ⁴ 1M ⁰ 8D ⁰ 16B ⁸ | I/O | IOL, PD |
| X1D37 | X ₀ L3 _{in} ⁴ 1N ⁰ 8D ¹ 16B ⁹ | I/O | IOL, PD |
| X1D38 | X ₀ L3 _{in} ³ 1O ⁰ 8D ² 16B ¹⁰ | I/O | IOL, PD |
| X1D39 | X ₀ L3 _{in} ² 1P ⁰ 8D ³ 16B ¹¹ | I/O | IOL, PD |
| X1D40 | 8D ⁴ 16B ¹² | I/O | IOT, PD |
| X1D41 | 8D ⁵ 16B ¹³ | I/O | IOT, PD |
| X1D42 | 8D ⁶ 16B ¹⁴ | I/O | IOT, PD |
| X1D43 | 8D ⁷ 16B ¹⁵ | I/O | IOT, PD |
| X1D49 | X ₀ L1 _{in} ⁴ 32A ⁰ | I/O | IOL, PD |
| X1D50 | X ₀ L1 _{in} ³ 32A ¹ | I/O | IOL, PD |
| X1D51 | X ₀ L1 _{in} ² 32A ² | I/O | IOL, PD |
| X1D52 | X ₀ L1 _{in} ¹ 32A ³ | I/O | IOL, PD |
| X1D53 | X ₀ L1 _{in} ⁰ 32A ⁴ | I/O | IOL, PD |
| X1D54 | X ₀ L1 _{out} ⁰ 32A ⁵ | I/O | IOL, PD |
| X1D55 | X ₀ L1 _{out} ¹ 32A ⁶ | I/O | IOL, PD |
| X1D56 | X ₀ L1 _{out} ² 32A ⁷ | I/O | IOL, PD |
| X1D57 | X ₀ L1 _{out} ³ 32A ⁸ | I/O | IOL, PD |
| X1D58 | X ₀ L1 _{out} ⁴ 32A ⁹ | I/O | IOL, PD |
| X1D61 | X ₀ L2 _{in} ⁴ 32A ¹⁰ | I/O | IOL, PD |
| X1D62 | X ₀ L2 _{in} ³ 32A ¹¹ | I/O | IOL, PD |
| X1D63 | X ₀ L2 _{in} ² 32A ¹² | I/O | IOL, PD |
| X1D64 | X ₀ L2 _{in} ¹ 32A ¹³ | I/O | IOL, PD |
| X1D65 | X ₀ L2 _{in} ⁰ 32A ¹⁴ | I/O | IOL, PD |
| X1D66 | X ₀ L2 _{out} ⁰ 32A ¹⁵ | I/O | IOL, PD |
| X1D67 | X ₀ L2 _{out} ¹ 32A ¹⁶ | I/O | IOL, PD |
| X1D68 | X ₀ L2 _{out} ² 32A ¹⁷ | I/O | IOL, PD |
| X1D69 | X ₀ L2 _{out} ³ 32A ¹⁸ | I/O | IOL, PD |

(continued)

| Signal | Function | Type | Properties |
|--------|---|------|------------|
| X1D70 | X ₀ L2 ⁴ _{out} 32A ¹⁹ | I/O | IOL, PD |

| System pins (3) | | | |
|-----------------|---------------------|-------|-------------|
| Signal | Function | Type | Properties |
| CLK | PLL reference clock | Input | IOL, PD, ST |
| DEBUG_N | Multi-chip debug | I/O | IOL, PU |
| MODE[1:0] | Boot mode select | Input | PU |

| usb pins (5) | | | |
|--------------|--------------------------------|------|------------|
| Signal | Function | Type | Properties |
| USB_DM | USB Serial Data Inverted | I/O | |
| USB_DP | USB Serial Data | I/O | |
| USB_ID | USB Device ID (OTG) - Reserved | I/O | |
| USB_RTUNE | USB resistor | I/O | |
| USB_VBUS | USB Power Detect Pin | I/O | |

5 Example Application Diagram

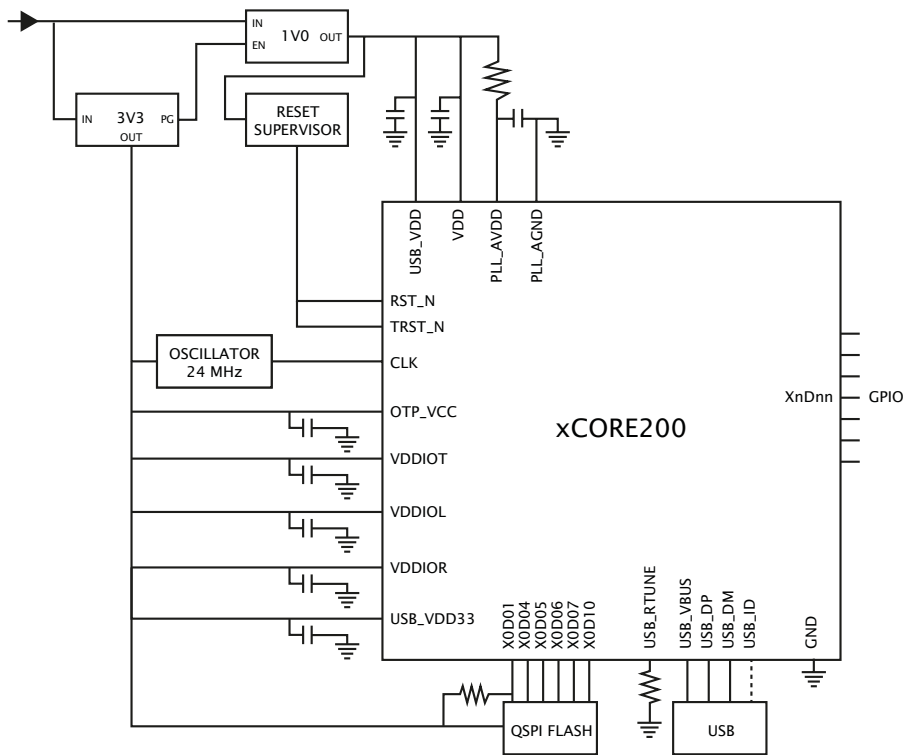


Figure 2:
Simplified
Reference
Schematic

- ▶ see Section 10 for details on the USB PHY
- ▶ see Section 12 for details on the power supplies and PCB design

6 Product Overview

The XU212-512-FB236 is a powerful device that consists of two xCORE Tiles, each comprising a flexible logical processing cores with tightly integrated I/O and on-chip memory.

6.1 Logical cores

Each tile has 6 active logical cores, which issue instructions down a shared five-stage pipeline. Instructions from the active cores are issued round-robin. If up to five logical cores are active, each core is allocated a fifth of the processing cycles. If more than five logical cores are active, each core is allocated at least $1/n$ cycles (for n cores). Figure 3 shows the guaranteed core performance depending on the number of cores used.

Figure 3:
Logical core
performance

| Speed grade | MIPS | Frequency | Minimum MIPS per core (for n cores) | | | | | | | |
|-------------|-----------|-----------|---------------------------------------|-----|-----|-----|-----|----|--|--|
| | | | 1 | 2 | 3 | 4 | 5 | 6 | | |
| 10 | 1000 MIPS | 500 MHz | 100 | 100 | 100 | 100 | 100 | 83 | | |

There is no way that the performance of a logical core can be reduced below these predicted levels (unless *priority threads* are used: in this case the guaranteed minimum performance is computed based on the number of priority threads as defined in the architecture manual). Because cores may be delayed on I/O, however, their unused processing cycles can be taken by other cores. This means that for more than five logical cores, the performance of each core is often higher than the predicted minimum but cannot be guaranteed.

The logical cores are triggered by events instead of interrupts and run to completion. A logical core can be paused to wait for an event.

6.2 xTIME scheduler

The xTIME scheduler handles the events generated by xCORE Tile resources, such as channel ends, timers and I/O pins. It ensures that all events are serviced and synchronized, without the need for an RTOS. Events that occur at the I/O pins are handled by the Hardware-Response ports and fed directly to the appropriate xCORE Tile. An xCORE Tile can also choose to wait for a specified time to elapse, or for data to become available on a channel.

Tasks do not need to be prioritised as each of them runs on their own logical xCORE. It is possible to share a set of low priority tasks on a single core using cooperative multitasking.

6.3 Hardware Response Ports

Hardware Response ports connect an xCORE tile to one or more physical pins and as such define the interface between hardware attached to the XU212-512-FB236, and the software running on it. A combination of 1bit, 4bit, 8bit, 16bit and 32bit

ports are available. All pins of a port provide either output or input. Signals in different directions cannot be mapped onto the same port.

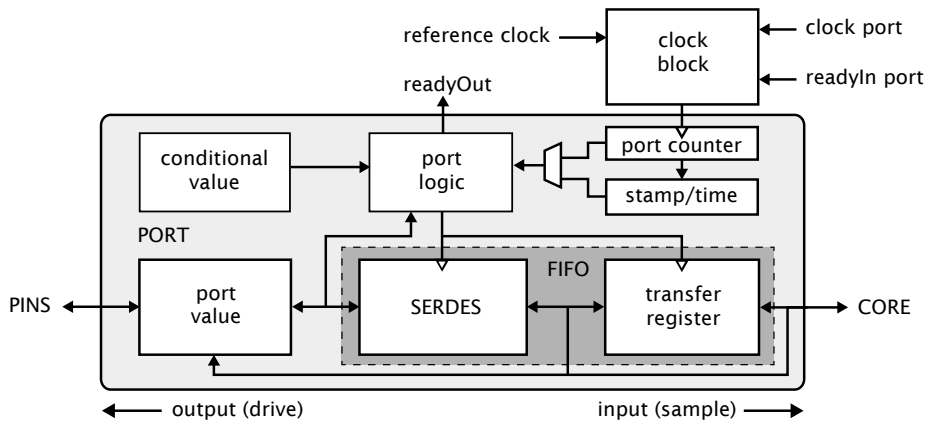


Figure 4:
Port block
diagram

The port logic can drive its pins high or low, or it can sample the value on its pins, optionally waiting for a particular condition. Ports are accessed using dedicated instructions that are executed in a single processor cycle. xCORE-200 IO pins can be used as *open collector* outputs, where signals are driven low if a zero is output, but left high impedance if a one is output. This option is set on a per-port basis.

Data is transferred between the pins and core using a FIFO that comprises a SERDES and transfer register, providing options for serialization and buffered data.

Each port has a 16-bit counter that can be used to control the time at which data is transferred between the port value and transfer register. The counter values can be obtained at any time to find out when data was obtained, or used to delay I/O until some time in the future. The port counter value is automatically saved as a timestamp, that can be used to provide precise control of response times.

The ports and xCONNECT links are multiplexed onto the physical pins. If an xConnect Link is enabled, the pins of the underlying ports are disabled. If a port is enabled, it overrules ports with higher widths that share the same pins. The pins on the wider port that are not shared remain available for use when the narrower port is enabled. Ports always operate at their specified width, even if they share pins with another port.

6.4 Clock blocks

xCORE devices include a set of programmable clocks called clock blocks that can be used to govern the rate at which ports execute. Each xCORE tile has six clock blocks: the first clock block provides the tile reference clock and runs at a default frequency of 100MHz; the remaining clock blocks can be set to run at different frequencies.

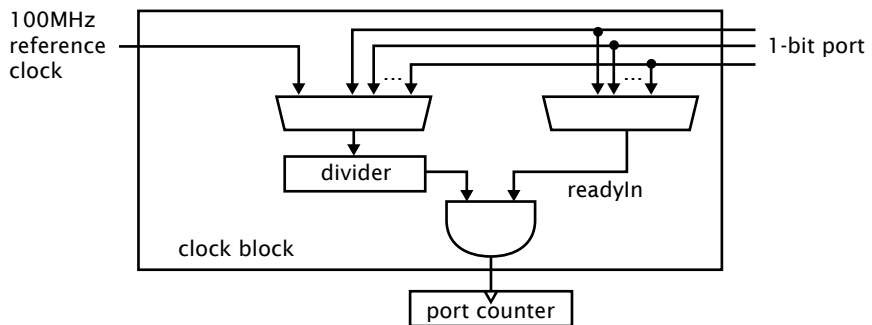


Figure 5:
Clock block
diagram

A clock block can use a 1-bit port as its clock source allowing external application clocks to be used to drive the input and output interfaces. xCORE-200 clock blocks optionally divide the clock input from a 1-bit port.

In many cases I/O signals are accompanied by strobing signals. The xCORE ports can input and interpret strobe (known as readyIn and readyOut) signals generated by external sources, and ports can generate strobe signals to accompany output data.

On reset, each port is connected to clock block 0, which runs from the xCORE Tile reference clock.

6.5 Channels and Channel Ends

Logical cores communicate using point-to-point connections, formed between two channel ends. A channel-end is a resource on an xCORE tile, that is allocated by the program. Each channel-end has a unique system-wide identifier that comprises a unique number and their tile identifier. Data is transmitted to a channel-end by an output-instruction; and the other side executes an input-instruction. Data can be passed synchronously or asynchronously between the channel ends.

6.6 xCONNECT Switch and Links

XMOS devices provide a scalable architecture, where multiple xCORE devices can be connected together to form one system. Each xCORE device has an xCONNECT interconnect that provides a communication infrastructure for all tasks that run on the various xCORE tiles on the system.

The interconnect relies on a collection of switches and XMOS links. Each xCORE device has an on-chip switch that can set up circuits or route data. The switches are connected by xConnect Links. An XMOS link provides a physical connection between two switches. The switch has a routing algorithm that supports many different topologies, including lines, meshes, trees, and hypercubes.

The links operate in either 2 wires per direction or 5 wires per direction mode, depending on the amount of bandwidth required. Circuit switched, streaming

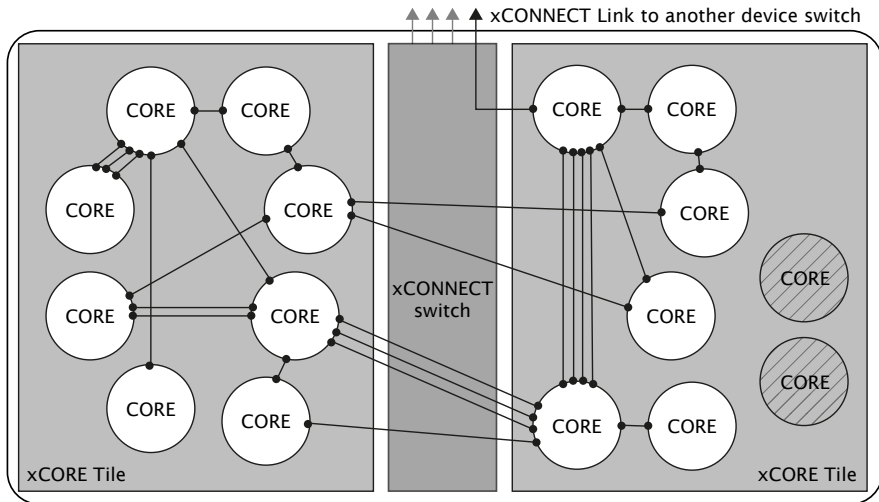


Figure 6:
Switch, links
and channel
ends

and packet switched data can both be supported efficiently. Streams provide the fastest possible data rates between xCORE Tiles (up to 250 MBit/s), but each stream requires a single link to be reserved between switches on two tiles. All packet communications can be multiplexed onto a single link.

Information on the supported routing topologies that can be used to connect multiple devices together can be found in the XS1-U Link Performance and Design Guide, [X2999](#).

7 PLL

The PLL creates a high-speed clock that is used for the switch, tile, and reference clock. The PLL multiplication value is selected through the two MODE pins, and can be changed by software to speed up the tile or use less power. The MODE pins are set as shown in Figure 7:

| Oscillator Frequency | MODE | | Tile Frequency | PLL Ratio | PLL settings | | |
|----------------------|------|---|----------------|-----------|--------------|-----|---|
| | 1 | 0 | | | OD | F | R |
| 3.25-10 MHz | 0 | 0 | 130-400 MHz | 40 | 1 | 159 | 0 |
| 9-25 MHz | 1 | 1 | 144-400 MHz | 16 | 1 | 63 | 0 |
| 25-50 MHz | 1 | 0 | 167-400 MHz | 8 | 1 | 31 | 0 |
| 50-100 MHz | 0 | 1 | 196-400 MHz | 4 | 1 | 15 | 0 |

Figure 7:
PLL multiplier
values and
MODE pins

Figure 7 also lists the values of OD , F and R , which are the registers that define the ratio of the tile frequency to the oscillator frequency:

$$F_{core} = F_{osc} \times \frac{F+1}{2} \times \frac{1}{R+1} \times \frac{1}{OD+1}$$

OD , F and R must be chosen so that $0 \leq R \leq 63$, $0 \leq F \leq 4095$, $0 \leq OD \leq 7$, and $260MHz \leq F_{osc} \times \frac{F+1}{2} \times \frac{1}{R+1} \leq 1.3GHz$. The OD , F , and R values can be modified by writing to the digital node PLL configuration register.

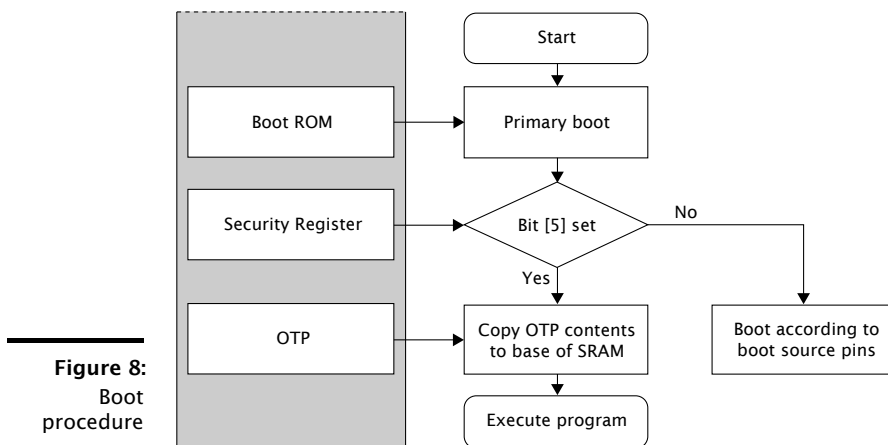
The MODE pins must be held at a static value during and after deassertion of the system reset. If the USB PHY is used, then either a 24 MHz or 12 MHz oscillator must be used.

If a different tile frequency is required (eg, 500 MHz), then the PLL must be reprogrammed after boot to provide the required tile frequency. The XMOS tools perform this operation by default. Further details on configuring the clock can be found in the xCORE-200 Clock Frequency Control document.

8 Boot Procedure

The device is kept in reset by driving RST_N low. When in reset, all GPIO pins have a pull-down enabled. When the device is taken out of reset by releasing RST_N the processor starts its internal reset process. After 15-150 μs (depending on the input clock) the processor boots.

The xCORE Tile boot procedure is illustrated in Figure 8. If bit 5 of the security register (see §9.1) is set, the device boots from OTP. To get a high value, a 3K Ω pull-up resistor should be strapped onto the pin. To assure a low value, a pull-down resistor is required if other external devices are connected to this port.



The boot image has the following format:

- ▶ A 32-bit program size s in words.

| X0D06 | X0D05 | X0D04 | Tile 0 boot | Tile 1 boot | Enabled links |
|-------|-------|-------|---------------|---------------|--------------------------------|
| 0 | 0 | 0 | QSPI master | Channel end 0 | None |
| 0 | 0 | 1 | SPI master | Channel end 0 | None |
| 0 | 1 | 0 | SPI slave | Channel end 0 | None |
| 0 | 1 | 1 | SPI slave | SPI slave | None |
| 1 | 0 | 0 | Channel end 0 | Channel end 0 | XL0 (2w) |
| 1 | 0 | 1 | Channel end 0 | Channel end 0 | XL4-XL7 (5w) |
| 1 | 1 | 0 | Channel end 0 | Channel end 0 | XL1, XL2, XL5, and XL6 (5w) |
| 1 | 1 | 1 | Channel end 0 | Channel end 0 | XL0-XL3 (5w) |

Figure 9:
Boot source
pins

- ▶ Program consisting of $s \times 4$ bytes.
- ▶ A 32-bit CRC, or the value 0x0D15AB1E to indicate that no CRC check should be performed.

The program size and CRC are stored least significant byte first. The program is loaded into the lowest memory address of RAM, and the program is started from that address. The CRC is calculated over the byte stream represented by the program size and the program itself. The polynomial used is 0xEDB88320 (IEEE 802.3); the CRC register is initialized with 0xFFFFFFFF and the residue is inverted to produce the CRC.

8.1 Boot from QSPI master

If set to boot from QSPI master, the processor enables the six pins specified in Figure 10, and drives the SPI clock at 50 MHz (assuming a 400 MHz core clock). A READ command is issued with a 24-bit address 0x000000. The clock polarity and phase are 0 / 0.

| Pin | Signal | Description |
|--------------|--------|--------------|
| X0D01 | SS | Slave Select |
| X0D04..X0D07 | SPIO | Data |
| X0D10 | SCLK | Clock |

Figure 10:
QSPI pins

The xCORE Tile expects each byte to be transferred with the *least-significant nibble first*. Programmers who write bytes into an QSPI interface using the most significant nibble first may have to reverse the nibbles in each byte of the image stored in the QSPI device.

The pins used for QSPI boot are hardcoded in the boot ROM and cannot be changed. If required, an QSPI boot program can be burned into OTP that uses different pins.

8.2 Boot from SPI master

If set to boot from SPI master, the processor enables the four pins specified in Figure 11, and drives the SPI clock at 2.5 MHz (assuming a 400 MHz core clock). A READ command is issued with a 24-bit address 0x000000. The clock polarity and phase are 0 / 0.

Figure 11:
SPI master
pins

| Pin | Signal | Description |
|-------|--------|----------------------------|
| X0D00 | MISO | Master In Slave Out (Data) |
| X0D01 | SS | Slave Select |
| X0D10 | SCLK | Clock |
| X0D11 | MOSI | Master Out Slave In (Data) |

The xCORE Tile expects each byte to be transferred with the *least-significant bit first*. Programmers who write bytes into an SPI interface using the most significant bit first may have to reverse the bits in each byte of the image stored in the SPI device.

If a large boot image is to be read in, it is faster to first load a small boot-loader that reads the large image using a faster SPI clock, for example 50 MHz or as fast as the flash device supports.

The pins used for SPI boot are hardcoded in the boot ROM and cannot be changed. If required, an SPI boot program can be burned into OTP that uses different pins.

8.3 Boot from SPI slave

If set to boot from SPI slave, the processor enables the three pins specified in Figure 12 and expects a boot image to be clocked in. The supported clock polarity and phase are 0/0 and 1/1.

Figure 12:
SPI slave pins

| Pin | Signal | Description |
|-------|--------|----------------------------|
| X0D00 | SS | Slave Select |
| X0D10 | SCLK | Clock |
| X0D11 | MOSI | Master Out Slave In (Data) |

The xCORE Tile expects each byte to be transferred with the *least-significant bit first*. The pins used for SPI boot are hardcoded in the boot ROM and cannot be changed. If required, an SPI boot program can be burned into OTP that uses different pins.

8.4 Boot from xConnect Link

If set to boot from an xConnect Link, the processor enables its link(s) around 2 us after the boot process starts. Enabling the Link switches off the pull-down resistors on the link, drives all the TX wires low (the initial state for the Link), and monitors the RX pins for boot-traffic; they must be low at this stage. If the internal pull-down is too weak to drain any residual charge, external pull-downs of 10K may be required on those pins.

The boot-rom on the core will then:

1. Allocate channel-end 0.
2. Input a word on channel-end 0. It will use this word as a channel to acknowledge the boot. Provide the null-channel-end 0x0000FF02 if no acknowledgment is required.
3. Input the boot image specified above, including the CRC.
4. Input an END control token.
5. Output an END control token to the channel-end received in step 2.
6. Free channel-end 0.
7. Jump to the loaded code.

8.5 Boot from OTP

If an xCORE tile is set to use secure boot (see Figure 8), the boot image is read from address 0 of the OTP memory in the tile's security module.

This feature can be used to implement a secure bootloader which loads an encrypted image from external flash, decrypts and CRC checks it with the processor, and discontinues the boot process if the decryption or CRC check fails. XMOS provides a default secure bootloader that can be written to the OTP along with secret decryption keys.

Each tile has its own individual OTP memory, and hence some tiles can be booted from OTP while others are booted from SPI or the channel interface. This enables systems to be partially programmed, dedicating one or more tiles to perform a particular function, leaving the other tiles user-programmable.

8.6 Security register

The security register enables security features on the xCORE tile. The features shown in Figure 13 provide a strong level of protection and are sufficient for providing strong IP security.

9 Memory

9.1 OTP

Each xCORE Tile integrates 8 KB one-time programmable (OTP) memory along with a security register that configures system wide security features. The OTP holds data in four sectors each containing 512 rows of 32 bits which can be used to implement secure bootloaders and store encryption keys. Data for the security register is loaded from the OTP on power up. All additional data in OTP is copied from the OTP to SRAM and executed first on the processor.

| Feature | Bit | Description |
|----------------------|--------|--|
| Disable JTAG | 0 | The JTAG interface is disabled, making it impossible for the tile state or memory content to be accessed via the JTAG interface. |
| Disable Link access | 1 | Other tiles are forbidden access to the processor state via the system switch. Disabling both JTAG and Link access transforms an xCORE Tile into a “secure island” with other tiles free for non-secure user application code. |
| Secure Boot | 5 | The xCORE Tile is forced to boot from address 0 of the OTP, allowing the xCORE Tile boot ROM to be bypassed (<i>see §8</i>). |
| Redundant rows | 7 | Enables redundant rows in OTP. |
| Sector Lock 0 | 8 | Disable programming of OTP sector 0. |
| Sector Lock 1 | 9 | Disable programming of OTP sector 1. |
| Sector Lock 2 | 10 | Disable programming of OTP sector 2. |
| Sector Lock 3 | 11 | Disable programming of OTP sector 3. |
| OTP Master Lock | 12 | Disable OTP programming completely: disables updates to all sectors and security register. |
| Disable JTAG-OTP | 13 | Disable all (read & write) access from the JTAG interface to this OTP. |
| Disable Global Debug | 14 | Disables access to the DEBUG_N pin. |
| | 21..15 | General purpose software accessible security register available to end-users. |
| | 31..22 | General purpose user programmable JTAG UserID code extension. |

Figure 13:
Security register features

The OTP memory is programmed using three special I/O ports: the OTP address port is a 16-bit port with resource ID 0x100200, the OTP data is written via a 32-bit port with resource ID 0x200100, and the OTP control is on a 16-bit port with ID 0x100300. Programming is performed through `libotp` and `xburn`.

9.2 SRAM

Each xCORE Tile integrates a single 256KBSRAM bank for both instructions and data. All internal memory is 32 bits wide, and instructions are either 16-bit or 32-bit. Byte (8-bit), half-word (16-bit) or word (32-bit) accesses are supported and are executed within one tile clock cycle. There is no dedicated external memory interface, although data memory can be expanded through appropriate use of the ports.

10 USB PHY

The USB PHY provides High-Speed and Full-Speed, device, host, and on-the-go functionality. The PHY is configured through a set of peripheral registers (Appendix F),

and data is communicated through ports on the digital node. A library, libxud_s.a, is provided to implement USB device functionality.

The USB PHY is connected to the ports on Tile 0 and Tile 1 as shown in Figure 14. When the USB PHY is enabled on Tile 0, the ports shown can on Tile 0 only be used with the USB PHY. When the USB PHY is enabled on Tile 1, then the ports shown can on Tile 1 only be used with the USB PHY. All other IO pins and ports are unaffected. The USB PHY should not be enabled on both tiles.

An external resistor of 43.2 ohm (1% tolerance) should connect USB_RTUNE to ground, as close as possible to the device.

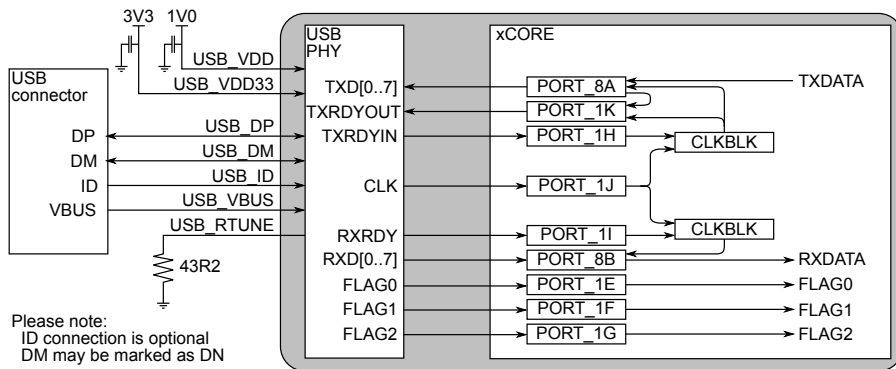


Figure 14:
USB port functions

Figure 14 shows how two clock blocks can be used to clock the USB ports. One clock block for the TXDATA path, and one clock block for the RXDATA path. Details on how to connect those ports are documented in an application note on USB for xCORE-200.

10.1 Logical Core Requirements

The XMOS XUD software component runs in a single logical core with endpoint and application cores communicating with it via a combination of channel communication and shared memory variables.

Each IN (host requests data from device) or OUT (data transferred from host to device) endpoint requires one logical core.

11 JTAG

The JTAG module can be used for loading programs, boundary scan testing, in-circuit source-level debugging and programming the OTP memory.

The JTAG chain structure is illustrated in Figure 15. Directly after reset, two TAP controllers are present in the JTAG chain for each xCORE Tile: the boundary scan TAP and the chip TAP. The boundary scan TAP is a standard 1149.1 compliant TAP

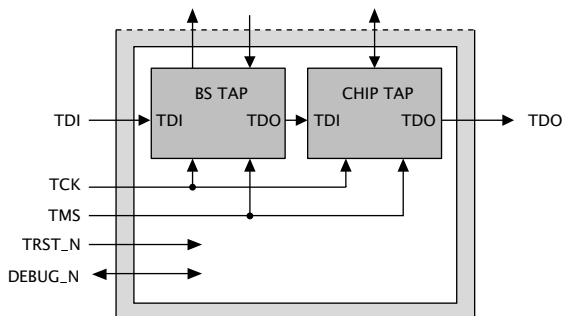


Figure 15:
JTAG chain structure

that can be used for boundary scan of the I/O pins. The chip TAP provides access into the xCORE Tile, switch and OTP for loading code and debugging.

The TRST_N pin must be asserted low during and after power up for 100 ns. If JTAG is not required, the TRST_N pin can be tied to ground to hold the JTAG module in reset.

The DEBUG_N pin is used to synchronize the debugging of multiple xCORE Tiles. This pin can operate in both output and input mode. In output mode and when configured to do so, DEBUG_N is driven low by the device when the processor hits a debug break point. Prior to this point the pin will be tri-stated. In input mode and when configured to do so, driving this pin low will put the xCORE Tile into debug mode. Software can set the behavior of the xCORE Tile based on this pin. This pin should have an external pull up of 4K7-47KΩ or left not connected in single core applications.

The JTAG device identification register can be read by using the IDCODE instruction. Its contents are specified in Figure 16.

Figure 16:
IDCODE return value

| Device Identification Register | | | | | | | | | | | | | | | | Bit31 | | | | | | | | | | | | | | | | | Bit0 |
|--------------------------------|---|---|---|-------------|---|---|---|---|---|---|---|---|---|---|---|-----------------------|---|---|---|---|---|---|---|---|---|---|---|---|---|---|---|---|------|
| Version | | | | Part Number | | | | | | | | | | | | Manufacturer Identity | | | | | | | | 1 | | | | | | | | | |
| 0 | 0 | 0 | 0 | 0 | 0 | 0 | 0 | 0 | 0 | 0 | 0 | 0 | 0 | 0 | 0 | 0 | 0 | 1 | 1 | 0 | 0 | 1 | 1 | 0 | 0 | 1 | 1 | 0 | 0 | 1 | 1 | 1 | |
| 0 | | | | 0 | | | | 0 | | | | 0 | | | | 6 | | 6 | | 3 | | 3 | | | | | | | | | | | |

The JTAG usercode register can be read by using the USERCODE instruction. Its contents are specified in Figure 17. The OTP User ID field is read from bits [22:31] of the security register on xCORE Tile 0, see §9.1 (all zero on unprogrammed devices).

Figure 17:
USERCODE return value

| Usercode Register | | | | | | | | | | | | | | | | Bit31 | | | | | | | | | | | | | | | | | Bit0 |
|-------------------|---|---|---|---|---|---|---|--------|---|---|---|------------------|---|---|---|-------|---|---|---|---|---|---|---|---|---|---|---|---|---|---|---|---|------|
| OTP User ID | | | | | | | | Unused | | | | Silicon Revision | | | | | | | | | | | | | | | | | | | | | |
| 0 | 0 | 0 | 0 | 0 | 0 | 0 | 0 | 0 | 0 | 0 | 0 | 0 | 0 | 0 | 0 | 1 | 0 | 1 | 0 | 0 | 0 | 0 | 0 | 0 | 0 | 0 | 0 | 0 | 0 | 0 | 0 | 0 | 0 |
| 0 | | | | | | | | 0 | | | | 2 | | | | 8 | | | | 0 | | | | 0 | | | | 0 | | | | | |

12 Board Integration

The device has the following power supply pins:

- ▶ VDD pins for the xCORE Tile, including a USB_VDD pin that powers the USB PHY
- ▶ VDDIO pins for the I/O lines. Separate I/O supplies are provided for the left, top, and right side of the package; different I/O voltages may be supplied on those. The signal description (Section 4) specifies which I/O is powered from which power-supply
- ▶ PLL_AVDD pins for the PLL
- ▶ OTP_VCC pins for the OTP
- ▶ A USB_VDD33 pin for the analogue supply to the USB-PHY

Several pins of each type are provided to minimize the effect of inductance within the package, all of which must be connected. The power supplies must be brought up monotonically and input voltages must not exceed specification at any time.

The VDD supply must ramp from 0 V to its final value within 10 ms to ensure correct startup.

The VDDIO and OTP_VCC supply must ramp to its final value before VDD reaches 0.4 V.

The PLL_AVDD supply should be separated from the other noisier supplies on the board. The PLL requires a very clean power supply, and a low pass filter (for example, a 4.7 Ω resistor and 100 nF multi-layer ceramic capacitor) is recommended on this pin.

The following ground pins are provided:

- ▶ PLL_AGND for PLL_AVDD
- ▶ GND for all other supplies

All ground pins must be connected directly to the board ground.

The VDD and VDDIO supplies should be decoupled close to the chip by several 100 nF low inductance multi-layer ceramic capacitors between the supplies and GND (for example, 100nF 0402 for every other supply pin). The ground side of the decoupling capacitors should have as short a path back to the GND pins as possible. A bulk decoupling capacitor of at least 10 μ F should be placed on each of these supplies.

RST_N is an active-low asynchronous-assertion global reset signal. Following a reset, the PLL re-establishes lock after which the device boots up according to the boot mode (*see* §8). RST_N must be asserted low during and after power up for 100 ns.

12.1 USB connections

USB_VBUS should be connected to the VBUS pin of the USB connector. A 2.2 μF capacitor to ground is required on the VBUS pin. A ferrite bead may be used to reduce HF noise.

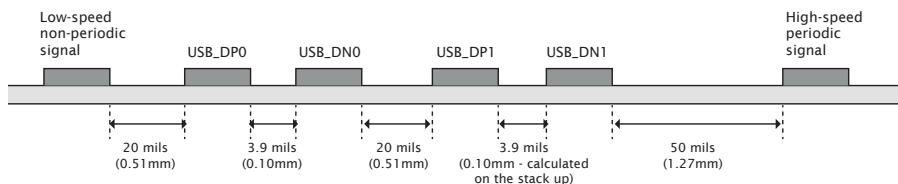
For self-powered systems, a bleeder resistor may be required to stop VBUS from floating when no USB cable is attached.

USB_DP and USB_DN should be connected to the USB connector. USB_ID does not need to be connected.

12.2 USB signal routing and placement

The USB_DP and USB_DN lines are the positive and negative data polarities of a high speed USB signal respectively. Their high-speed differential nature implies that they must be coupled and properly isolated. The board design must ensure that the board traces for USB_DP and USB_DN are tightly matched. In addition, according to the USB 2.0 specification, the USB_DP and USB_DN differential impedance must be 90Ω .

Figure 18:
USB trace separation showing a low speed signal, two differential pairs and a high-speed clock



12.2.1 General routing and placement guidelines

The following guidelines will help to avoid signal quality and EMI problems on high speed USB designs. They relate to a four-layer (Signal, GND, Power, Signal) PCB.

For best results, most of the routing should be done on the top layer (assuming the USB connector and XU212A-512-FB236 are on the top layer) closest to GND. Reference planes should be below the transmission lines in order to maintain control of the trace impedance.

We recommend that the high-speed clock and high-speed USB differential pairs are routed first before any other routing. When routing high speed USB signals, the following guidelines should be followed:

- High speed differential pairs should be routed together.

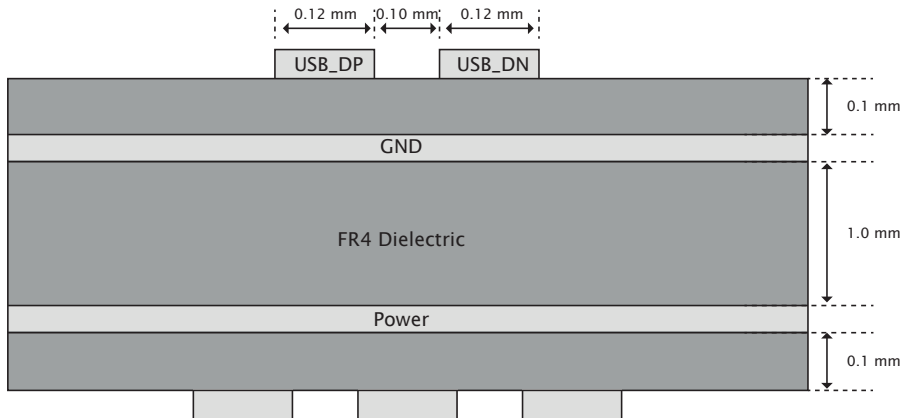


Figure 19:
Example USB
board stack

- ▶ High-speed USB signal pair traces should be trace-length matched. Maximum trace-length mismatch should be no greater than 4mm.
- ▶ Ensure that high speed signals (clocks, USB differential pairs) are routed as far away from off-board connectors as possible.
- ▶ High-speed clock and periodic signal traces that run parallel should be at least 1.27mm away from USB_DP/USB_DN (see Figure 18).
- ▶ Low-speed and non-periodic signal traces that run parallel should be at least 0.5mm away from USB_DP/USB_DN (see Figure 18).
- ▶ Route high speed USB signals on the top of the PCB wherever possible.
- ▶ Route high speed USB traces over continuous power planes, with no breaks. If a trade-off must be made, changing signal layers is preferable to crossing plane splits.
- ▶ Follow the $20 \times h$ rule; keep traces $20 \times h$ (the height above the power plane) away from the edge of the power plane.
- ▶ Use a minimum of vias in high speed USB traces.
- ▶ Avoid corners in the trace. Where necessary, rather than turning through a 90 degree angle, use two 45 degree turns or an arc.
- ▶ DO NOT route USB traces near clock sources, clocked circuits or magnetic devices.
- ▶ Avoid stubs on high speed USB signals.

12.3 Land patterns and solder stencils

The package is a 236 ball Fine Ball Grid Array (FBGA) on a 0.5 mm pitch. We recommend you use HDI or better PCB technology. The missing balls in the outer rows can be used to route the first inner row out over the top layer. The missing balls in the center can be used for ground vias. The missing rows four and five can be used for VDD vias if required.

The land patterns and solder stencils will depend on the PCB manufacturing process. We recommend you design them with using the IPC specifications “*Generic Requirements for Surface Mount Design and Land Pattern Standards*” [IPC-7351B](#). This standard aims to achieve desired targets of heel, toe and side fillets for solder-joints. The mechanical drawings in Section 14 specify the dimensions and tolerances.

12.4 Ground and Thermal Vias

Vias from the ground balls into the ground plane of the PCB are recommended for a low inductance ground connection and good thermal performance. Typical designs could use 16 vias in a 4 x 4 grid, equally spaced amongst the ground balls.

12.5 Moisture Sensitivity

XMOS devices are, like all semiconductor devices, susceptible to moisture absorption. When removed from the sealed packaging, the devices slowly absorb moisture from the surrounding environment. If the level of moisture present in the device is too high during reflow, damage can occur due to the increased internal vapour pressure of moisture. Example damage can include bond wire damage, die lifting, internal or external package cracks and/or delamination.

All XMOS devices are Moisture Sensitivity Level (MSL) 3 - devices have a shelf life of 168 hours between removal from the packaging and reflow, provided they are stored below 30C and 60% RH. If devices have exceeded these values or an included moisture indicator card shows excessive levels of moisture, then the parts should be baked as appropriate before use. This is based on information from *Joint IPC/JEDEC Standard For Moisture/Reflow Sensitivity Classification For Nonhermetic Solid State Surface-Mount Devices* [J-STD-020](#) Revision D.

13 DC and Switching Characteristics

13.1 Operating Conditions

| Symbol | Parameter | MIN | TYP | MAX | UNITS | Notes |
|------------|--|-------|------|-------|-------|-------|
| VDD | Tile DC supply voltage | 0.95 | 1.00 | 1.05 | V | |
| VDDIOL | I/O supply voltage | 3.135 | 3.30 | 3.465 | V | |
| VDDIOR | I/O supply voltage | 3.135 | 3.30 | 3.465 | V | |
| VDDIOT 3v3 | I/O supply voltage | 3.135 | 3.30 | 3.465 | V | |
| VDDIOT 2v5 | I/O supply voltage | 2.375 | 2.50 | 2.625 | V | |
| USB_VDD | USB tile DC supply voltage | 0.95 | 1.00 | 1.05 | V | |
| VDD33 | Peripheral supply | 3.135 | 3.30 | 3.465 | V | |
| PLL_AVDD | PLL analog supply | 0.95 | 1.00 | 1.05 | V | |
| CI | xCORE Tile I/O load capacitance | | | 25 | pF | |
| Ta | Ambient operating temperature (Commercial) | 0 | | 70 | °C | |
| | Ambient operating temperature (Industrial) | -40 | | 85 | °C | |
| Tj | Junction temperature | | | 125 | °C | |
| Tstg | Storage temperature | -65 | | 150 | °C | |

Figure 20:
Operating conditions

13.2 DC Characteristics, VDDIO=3V3

| Symbol | Parameter | MIN | TYP | MAX | UNITS | Notes |
|--------|---------------------------------------|-------|-----|------|-------|-------|
| V(IH) | Input high voltage | 2.00 | | 3.60 | V | A |
| V(IL) | Input low voltage | -0.30 | | 0.70 | V | A |
| V(OH) | Output high voltage | 2.20 | | | V | B, C |
| V(OL) | Output low voltage | | | 0.40 | V | B, C |
| I(PU) | Internal pull-up current (Vin=0V) | -100 | | | μA | D |
| I(PD) | Internal pull-down current (Vin=3.3V) | | | 100 | μA | D |
| I(LC) | Input leakage current | -10 | | 10 | μA | |

Figure 21:
DC characteristics

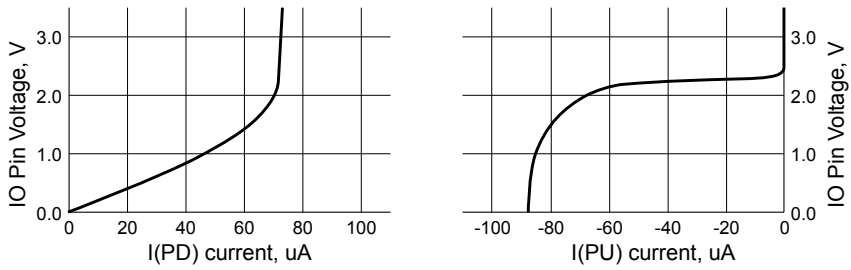
A All pins except power supply pins.

B Pins X1D40, X1D41, X1D42, X1D43, X1D26, and X1D27 are nominal 8 mA drivers, the remainder of the general-purpose I/Os are 4 mA.

C Measured with 4 mA drivers sourcing 4 mA, 8 mA drivers sourcing 8 mA.

D Used to guarantee logic state for an I/O when high impedance. The internal pull-ups/pull-downs should not be used to pull external circuitry. In order to pull the pin to the opposite state, a 4K7 resistor is recommended to overcome the internal pull current.

Figure 22:
Typical
internal
pull-down
and pull-up
currents



13.3 ESD Stress Voltage

Figure 23:
ESD stress
voltage

| Symbol | Parameter | MIN | TYP | MAX | UNITS | Notes |
|--------|----------------------|-------|-----|------|-------|-------|
| HBM | Human body model | -2.00 | | 2.00 | KV | |
| CDM | Charged Device Model | -500 | | 500 | V | |

13.4 Reset Timing

Figure 24:
Reset timing

| Symbol | Parameters | MIN | TYP | MAX | UNITS | Notes |
|---------|---------------------|-----|-----|-----|-------|-------|
| T(RST) | Reset pulse width | 5 | | | μs | |
| T(INIT) | Initialization time | | | 150 | μs | A |

A Shows the time taken to start booting after RST_N has gone high.

13.5 Power Consumption

Figure 25:
xCORE Tile
currents

| Symbol | Parameter | MIN | TYP | MAX | UNITS | Notes |
|------------|------------------------|-----|------|-----|---------|------------|
| I(DDCQ) | Quiescent VDD current | | 45 | | mA | A, B, C |
| PD | Tile power dissipation | | 325 | | μW/MIPS | A, D, E, F |
| IDD | Active VDD current | | 570 | 700 | mA | A, G |
| I(ADDPLL) | PLL_AVDD current | | 5 | 7 | mA | H |
| I(VDD33) | VDD33 current | | 26.7 | | mA | I |
| I(USB_VDD) | USB_VDD current | | 8.27 | | mA | J |

A Use for budgetary purposes only.

B Assumes typical tile and I/O voltages with no switching activity.

C Includes PLL current.

D Assumes typical tile and I/O voltages with nominal switching activity.

E Assumes 1 MHz = 1 MIPS.

F PD(TYP) value is the usage power consumption under typical operating conditions.

G Measurement conditions: VDD = 1.0 V, VDDIO = 3.3 V, 25 °C, 500 MHz, average device resource usage.

H PLL_AVDD = 1.0 V

I HS mode transmitting while driving all 0's data (constant JKJK on DP/DM). Loading of 10 pF. Transfers do not include any interpacket delay.

J HS receive mode; no traffic.



The tile power consumption of the device is highly application dependent and should be used for budgetary purposes only.

More detailed power analysis can be found in the XS1-U Power Consumption document,

13.6 Clock

Figure 26:
Clock

| Symbol | Parameter | MIN | TYP | MAX | UNITS | Notes |
|--------|---------------------------|------|-----|-----|-------|-------|
| f | Frequency | 3.25 | 24 | 100 | MHz | |
| SR | Slew rate | 0.10 | | | V/ns | |
| TJ(LT) | Long term jitter (pk-pk) | | | 2 | % | A |
| f(MAX) | Processor clock frequency | | | 500 | MHz | B |

A Percentage of CLK period.

B Assumes typical tile and I/O voltages with nominal activity.

Further details can be found in the XS1-U Clock Frequency Control document,

13.7 xCORE Tile I/O AC Characteristics

Figure 27:
I/O AC characteristics

| Symbol | Parameter | MIN | TYP | MAX | UNITS | Notes |
|--------------|---|-----|-----|-----|-------|-------|
| T(XOVALID) | Input data valid window | 8 | | | ns | |
| T(XOINVALID) | Output data invalid window | 9 | | | ns | |
| T(XIFMAX) | Rate at which data can be sampled with respect to an external clock | | | 60 | MHz | |

The input valid window parameter relates to the capability of the device to capture data input to the chip with respect to an external clock source. It is calculated as the sum of the input setup time and input hold time with respect to the external clock as measured at the pins. The output invalid window specifies the time for which an output is invalid with respect to the external clock. Note that these parameters are specified as a window rather than absolute numbers since the device provides functionality to delay the incoming clock with respect to the incoming data.

Information on interfacing to high-speed synchronous interfaces can be found in the XS1 Port I/O Timing document, [X5821](#).

13.8 xConnect Link Performance

Figure 28:
Link performance

| Symbol | Parameter | MIN | TYP | MAX | UNITS | Notes |
|------------|--------------------------------|-----|-----|-----|--------|-------|
| B(2blinkP) | 2b link bandwidth (packetized) | | | 87 | MBit/s | A, B |
| B(5blinkP) | 5b link bandwidth (packetized) | | | 217 | MBit/s | A, B |
| B(2blinkS) | 2b link bandwidth (streaming) | | | 100 | MBit/s | B |
| B(5blinkS) | 5b link bandwidth (streaming) | | | 250 | MBit/s | B |

A Assumes 32-byte packet in 3-byte header mode. Actual performance depends on size of the header and payload.

B 7.5 ns symbol time.

The asynchronous nature of links means that the relative phasing of CLK clocks is not important in a multi-clock system, providing each meets the required stability criteria.

13.9 JTAG Timing

Figure 29:
JTAG timing

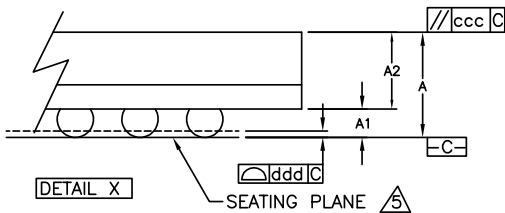
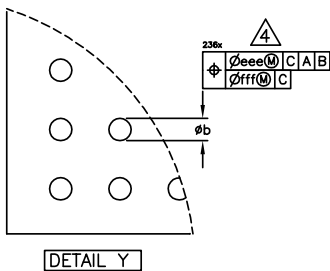
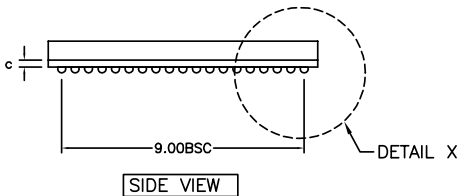
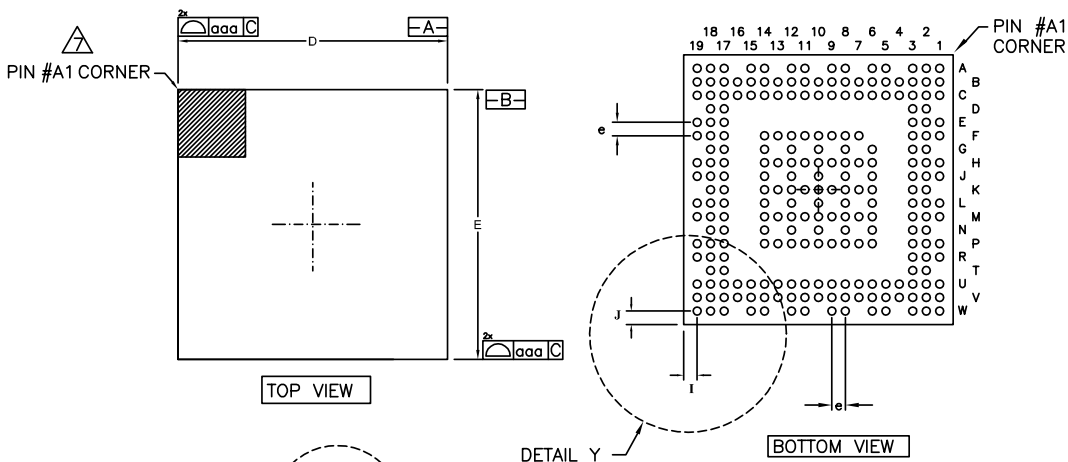
| Symbol | Parameter | MIN | TYP | MAX | UNITS | Notes |
|----------|-------------------------------|-----|-----|-----|-------|-------|
| f(TCK_D) | TCK frequency (debug) | | | 18 | MHz | |
| f(TCK_B) | TCK frequency (boundary scan) | | | 10 | MHz | |
| T(SETUP) | TDO to TCK setup time | 5 | | | ns | A |
| T(HOLD) | TDO to TCK hold time | 5 | | | ns | A |
| T(DELAY) | TCK to output delay | | | 15 | ns | B |

A Timing applies to TMS and TDI inputs.

B Timing applies to TDO output from negative edge of TCK.

All JTAG operations are synchronous to TCK apart from the global asynchronous reset TRST_N.

14 Package Information



NOTE:

1. ALL DIMENSIONS ARE IN MILLIMETERS, ANGLE IS DEGREES.
2. "e" REPRESENTS THE BASIC SOLDER BALL GRID PITCH.
3. "M" REPRESENTS THE MAXIMUM SOLDER BALL MATRIX SIZE.
4. DIMENSIONS "b" IS MEASURED AT THE MAXIMUM SOLDER BALL DIAMETER PARALLEL TO PRIMARY DATUM $\square C$.
5. PRIMARY DATUM $\square C$ AND SEATING PLANE ARE DESIGNED BY THE SPHERICAL CROWNS OF THE SOLDER BALLS.
6. DIMENSIONING AND TOLERANCING PER ASME Y14.5M-1994
7. A1 CORNER MUST BE IDENTIFIED BY LASER MARK.
8. PACKAGE DIMENSIONS CONFORM TO JEDEC REGISTRATION MO-275.

| SYMBOL | MIN. | NOM. | MAX. |
|--------|--------------------|-------|-------|
| A | 1.08 | 1.18 | 1.28 |
| A1 | 0.17 | 0.22 | 0.27 |
| A2 | 0.91 | 0.96 | 1.01 |
| D | 9.90 | 10.00 | 10.10 |
| E | 9.90 | 10.00 | 10.10 |
| I | 0.50 REF. | | |
| J | 0.50 REF. | | |
| M | 19x19<DEPOPULATED> | | |
| aaa | | | 0.15 |
| ccc | | | 0.10 |
| ddd | | | 0.08 |
| eee | | | 0.15 |
| fff | | | 0.05 |
| b | 0.25 | 0.30 | 0.35 |
| e | 0.50 BSC. | | |
| c | 0.26 REF. | | |

14.1 Part Marking

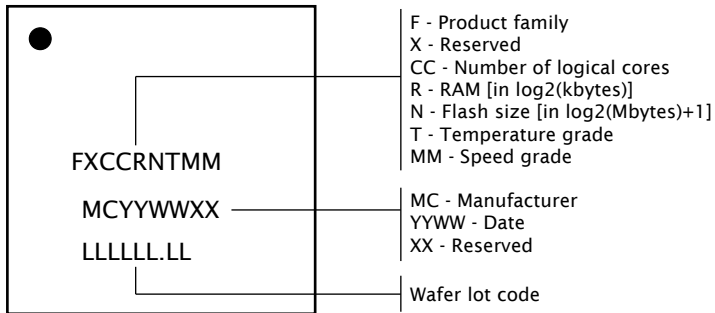


Figure 30:
Part marking
scheme

15 Ordering Information

Figure 31:
Orderable
part numbers

| Product Code | Marking | Qualification | Speed Grade |
|---------------------|-----------|---------------|-------------|
| XU212-512-FB236-C20 | U11290C20 | Commercial | 1000 MIPS |
| XU212-512-FB236-I20 | U11290I20 | Industrial | 1000 MIPS |

Appendices

A Configuration of the XU212-512-FB236

The device is configured through banks of registers, as shown in Figure 32.

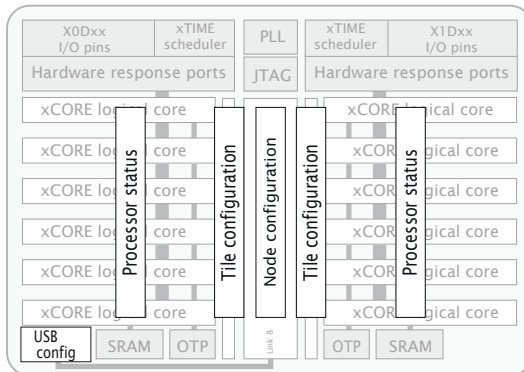


Figure 32:
Registers

The following communication sequences specify how to access those registers. Any messages transmitted contain the most significant 24 bits of the channel-end to which a response is to be sent. This comprises the node-identifier and the channel number within the node. If no response is required on a write operation, supply 24-bits with the last 8-bits set, which suppresses the reply message. Any multi-byte data is sent most significant byte first.

A.1 Accessing a processor status register

The processor status registers are accessed directly from the processor instruction set. The instructions GETPS and SETPS read and write a word. The register number should be translated into a processor-status resource identifier by shifting the register number left 8 places, and ORing it with 0x0B. Alternatively, the functions `getps(reg)` and `setps(reg,value)` can be used from XC.

A.2 Accessing an xCORE Tile configuration register

xCORE Tile configuration registers can be accessed through the interconnect using the functions `write_tile_config_reg(tileref, ...)` and `read_tile_config_reg(tile ↪ ref, ...)`, where `tileref` is the name of the xCORE Tile, e.g. `tile[1]`. These functions implement the protocols described below.

Instead of using the functions above, a channel-end can be allocated to communicate with the xCORE tile configuration registers. The destination of the channel-end should be set to `0xnnnnC20C` where `nnnnn` is the tile-identifier.

A write message comprises the following:

| | | | | |
|----------------------|---|---------------------------|----------------|--------------------|
| control-token 192 | 24-bit response channel-end identifier | 16-bit register number | 32-bit data | control-token 1 |
|----------------------|---|---------------------------|----------------|--------------------|

The response to a write message comprises either control tokens 3 and 1 (for success), or control tokens 4 and 1 (for failure).

A read message comprises the following:

| | | | |
|----------------------|---|---------------------------|--------------------|
| control-token 193 | 24-bit response channel-end identifier | 16-bit register number | control-token 1 |
|----------------------|---|---------------------------|--------------------|

The response to the read message comprises either control token 3, 32-bit of data, and control-token 1 (for success), or control tokens 4 and 1 (for failure).

A.3 Accessing node configuration

Node configuration registers can be accessed through the interconnect using the functions `write_node_config_reg(device, ...)` and `read_node_config_reg(device, ↵ ...)`, where `device` is the name of the node. These functions implement the protocols described below.

Instead of using the functions above, a channel-end can be allocated to communicate with the node configuration registers. The destination of the channel-end should be set to `0xnnnnC30C` where `nnnn` is the node-identifier.

A write message comprises the following:

| | | | | |
|----------------------|---|---------------------------|----------------|--------------------|
| control-token 192 | 24-bit response channel-end identifier | 16-bit register number | 32-bit data | control-token 1 |
|----------------------|---|---------------------------|----------------|--------------------|

The response to a write message comprises either control tokens 3 and 1 (for success), or control tokens 4 and 1 (for failure).

A read message comprises the following:

| | | | |
|----------------------|---|---------------------------|--------------------|
| control-token 193 | 24-bit response channel-end identifier | 16-bit register number | control-token 1 |
|----------------------|---|---------------------------|--------------------|

The response to a read message comprises either control token 3, 32-bit of data, and control-token 1 (for success), or control tokens 4 and 1 (for failure).

A.4 Accessing a register of an analogue peripheral

Peripheral registers can be accessed through the interconnect using the functions `write_periph_32(device, peripheral, ...)`, `read_periph_32(device, peripheral, ...)` ↵ `, write_periph_8(device, peripheral, ...)`, and `read_periph_8(device, peripheral ↵ , ...)`; where `device` is the name of the analogue device, and `peripheral` is the number of the peripheral. These functions implement the protocols described below.

A channel-end should be allocated to communicate with the configuration registers. The destination of the channel-end should be set to `0xnnnnpp02` where `nnnn` is the node-identifier and `pp` is the peripheral identifier.

A write message comprises the following:

| | | | | | |
|---------------------|---|--------------------------|---------------|------|--------------------|
| control-token 36 | 24-bit response channel-end identifier | 8-bit register number | 8-bit size | data | control-token 1 |
|---------------------|---|--------------------------|---------------|------|--------------------|

The response to a write message comprises either control tokens 3 and 1 (for success), or control tokens 4 and 1 (for failure).

A read message comprises the following:

| | | | | |
|---------------------|---|--------------------------|---------------|--------------------|
| control-token 37 | 24-bit response channel-end identifier | 8-bit register number | 8-bit size | control-token 1 |
|---------------------|---|--------------------------|---------------|--------------------|

The response to the read message comprises either control token 3, data, and control-token 1 (for success), or control tokens 4 and 1 (for failure).

B Processor Status Configuration

The processor status control registers can be accessed directly by the processor using processor status reads and writes (use `getps(reg)` and `setps(reg,value)` for reads and writes).

| Number | Perm | Description |
|--------------|------|---------------------------------------|
| 0x00 | RW | RAM base address |
| 0x01 | RW | Vector base address |
| 0x02 | RW | xCORE Tile control |
| 0x03 | RO | xCORE Tile boot status |
| 0x05 | RW | Security configuration |
| 0x06 | RW | Ring Oscillator Control |
| 0x07 | RO | Ring Oscillator Value |
| 0x08 | RO | Ring Oscillator Value |
| 0x09 | RO | Ring Oscillator Value |
| 0x0A | RO | Ring Oscillator Value |
| 0x0C | RO | RAM size |
| 0x10 | DRW | Debug SSR |
| 0x11 | DRW | Debug SPC |
| 0x12 | DRW | Debug SSP |
| 0x13 | DRW | DGETREG operand 1 |
| 0x14 | DRW | DGETREG operand 2 |
| 0x15 | DRW | Debug interrupt type |
| 0x16 | DRW | Debug interrupt data |
| 0x18 | DRW | Debug core control |
| 0x20 .. 0x27 | DRW | Debug scratch |
| 0x30 .. 0x33 | DRW | Instruction breakpoint address |
| 0x40 .. 0x43 | DRW | Instruction breakpoint control |
| 0x50 .. 0x53 | DRW | Data watchpoint address 1 |
| 0x60 .. 0x63 | DRW | Data watchpoint address 2 |
| 0x70 .. 0x73 | DRW | Data breakpoint control register |
| 0x80 .. 0x83 | DRW | Resources breakpoint mask |
| 0x90 .. 0x93 | DRW | Resources breakpoint value |
| 0x9C .. 0x9F | DRW | Resources breakpoint control register |

Figure 33:
Summary

B.1 RAM base address: 0x00

This register contains the base address of the RAM. It is initialized to 0x00040000.

| 0x00: RAM base address | Bits | Perm | Init | Description |
|------------------------------|------|------|------|--|
| | 31:2 | RW | | Most significant 16 bits of all addresses. |
| | 1:0 | RO | - | Reserved |

B.2 Vector base address: 0x01

Base address of event vectors in each resource. On an interrupt or event, the 16 most significant bits of the destination address are provided by this register; the least significant 16 bits come from the event vector.

| 0x01: Vector base address | Bits | Perm | Init | Description |
|---------------------------------|-------|------|------|----------------------------------|
| | 31:18 | RW | | The event and interrupt vectors. |
| | 17:0 | RO | - | Reserved |

B.3 xCORE Tile control: 0x02

Register to control features in the xCORE tile

| Bits | Perm | Init | Description |
|-------|------|------|--|
| 31:26 | RO | - | Reserved |
| 25:18 | RW | 0 | RGMIITX data delay value (in PLL output cycle increments) |
| 17:9 | RW | 0 | RGMIITX clock divider value. TX clk rises when counter (clocked by PLL output) reaches this value and falls when counter reaches (value»1). Value programmed into this field should be actual divide value required minus 1 |
| 8 | RW | 0 | Enable RGMIIT interface periph ports |
| 7:6 | RO | - | Reserved |
| 5 | RW | 0 | Select the dynamic mode (1) for the clock divider when the clock divider is enabled. In dynamic mode the clock divider is only activated when all active threads are paused. In static mode the clock divider is always enabled. |
| 4 | RW | 0 | Enable the clock divider. This divides the output of the PLL to facilitate one of the low power modes. |
| 3 | RO | - | Reserved |
| 2 | RW | | Select between UTMI (1) and ULPI (0) mode. |
| 1 | RW | | Enable the ULPI Hardware support module |
| 0 | RO | - | Reserved |

0x02:
xCORE Tile
control

B.4 xCORE Tile boot status: 0x03

This read-only register describes the boot status of the xCORE tile.

| Bits | Perm | Init | Description |
|-------|------|------|---|
| 31:24 | RO | - | Reserved |
| 23:16 | RO | | Processor number. |
| 15:9 | RO | - | Reserved |
| 8 | RO | | Overwrite BOOT_MODE. |
| 7:6 | RO | - | Reserved |
| 5 | RO | | Indicates if core1 has been powered off |
| 4 | RO | | Cause the ROM to not poll the OTP for correct read levels |
| 3 | RO | | Boot ROM boots from RAM |
| 2 | RO | | Boot ROM boots from JTAG |
| 1:0 | RO | | The boot PLL mode pin value. |

0x03:
xCORE Tile
boot status

B.5 Security configuration: 0x05

Copy of the security register as read from OTP.

0x05:
Security
configuration

| Bits | Perm | Init | Description |
|-------|------|------|---|
| 31 | RW | | Disables write permission on this register |
| 30:15 | RO | - | Reserved |
| 14 | RW | | Disable access to XCore's global debug |
| 13 | RO | - | Reserved |
| 12 | RW | | lock all OTP sectors |
| 11:8 | RW | | lock bit for each OTP sector |
| 7 | RW | | Enable OTP redundancy |
| 6 | RO | - | Reserved |
| 5 | RW | | Override boot mode and read boot image from OTP |
| 4 | RW | | Disable JTAG access to the PLL/BOOT configuration registers |
| 3:1 | RO | - | Reserved |
| 0 | RW | | Disable access to XCore's JTAG debug TAP |

B.6 Ring Oscillator Control: 0x06

There are four free-running oscillators that clock four counters. The oscillators can be started and stopped using this register. The counters should only be read when the ring oscillator has been stopped for at least 10 core clock cycles (this can be achieved by inserting two nop instructions between the SETPS and GETPS). The counter values can be read using four subsequent registers. The ring oscillators are asynchronous to the xCORE tile clock and can be used as a source of random bits.

0x06:
Ring
Oscillator
Control

| Bits | Perm | Init | Description |
|------|------|------|------------------------------------|
| 31:2 | RO | - | Reserved |
| 1 | RW | 0 | Core ring oscillator enable. |
| 0 | RW | 0 | Peripheral ring oscillator enable. |

B.7 Ring Oscillator Value: 0x07

This register contains the current count of the xCORE Tile Cell ring oscillator. This value is not reset on a system reset.

0x07:
Ring
Oscillator
Value

| Bits | Perm | Init | Description |
|-------|------|------|-------------------------------|
| 31:16 | RO | - | Reserved |
| 15:0 | RO | 0 | Ring oscillator Counter data. |

B.8 Ring Oscillator Value: 0x08

This register contains the current count of the xCORE Tile Wire ring oscillator. This value is not reset on a system reset.

0x08:
Ring
Oscillator
Value

| Bits | Perm | Init | Description |
|-------|------|------|-------------------------------|
| 31:16 | RO | - | Reserved |
| 15:0 | RO | 0 | Ring oscillator Counter data. |

B.9 Ring Oscillator Value: 0x09

This register contains the current count of the Peripheral Cell ring oscillator. This value is not reset on a system reset.

0x09:
Ring
Oscillator
Value

| Bits | Perm | Init | Description |
|-------|------|------|-------------------------------|
| 31:16 | RO | - | Reserved |
| 15:0 | RO | 0 | Ring oscillator Counter data. |

B.10 Ring Oscillator Value: 0x0A

This register contains the current count of the Peripheral Wire ring oscillator. This value is not reset on a system reset.

0x0A:
Ring
Oscillator
Value

| Bits | Perm | Init | Description |
|-------|------|------|-------------------------------|
| 31:16 | RO | - | Reserved |
| 15:0 | RO | 0 | Ring oscillator Counter data. |

B.11 RAM size: 0x0C

The size of the RAM in bytes

0x0C:
RAM size

| Bits | Perm | Init | Description |
|------|------|------|--|
| 31:2 | RO | | Most significant 16 bits of all addresses. |
| 1:0 | RO | - | Reserved |

B.12 Debug SSR: 0x10

This register contains the value of the SSR register when the debugger was called.

0x10:
Debug SSR

| Bits | Perm | Init | Description |
|-------|------|------|--|
| 31:11 | RO | - | Reserved |
| 10 | DRW | | Address space identifier |
| 9 | DRW | | Determines the issue mode (DI bit) upon Kernel Entry after Exception or Interrupt. |
| 8 | RO | | Determines the issue mode (DI bit). |
| 7 | DRW | | When 1 the thread is in fast mode and will continually issue. |
| 6 | DRW | | When 1 the thread is paused waiting for events, a lock or another resource. |
| 5 | RO | - | Reserved |
| 4 | DRW | | 1 when in kernel mode. |
| 3 | DRW | | 1 when in an interrupt handler. |
| 2 | DRW | | 1 when in an event enabling sequence. |
| 1 | DRW | | When 1 interrupts are enabled for the thread. |
| 0 | DRW | | When 1 events are enabled for the thread. |

B.13 Debug SPC: 0x11

This register contains the value of the SPC register when the debugger was called.

0x11:
Debug SPC

| Bits | Perm | Init | Description |
|------|------|------|-------------|
| 31:0 | DRW | | Value. |

B.14 Debug SSP: 0x12

This register contains the value of the SSP register when the debugger was called.

| 0x12: Debug SSP | Bits | Perm | Init | Description |
|---------------------------|------|------|------|-------------|
| | 31:0 | DRW | | Value. |

B.15 DGETREG operand 1: 0x13

The resource ID of the logical core whose state is to be read.

| 0x13: DGETREG operand 1 | Bits | Perm | Init | Description |
|--------------------------------------|------|------|------|--------------------------|
| | 31:8 | RO | - | Reserved |
| | 7:0 | DRW | | Thread number to be read |

B.16 DGETREG operand 2: 0x14

Register number to be read by DGETREG

| 0x14: DGETREG operand 2 | Bits | Perm | Init | Description |
|--------------------------------------|------|------|------|----------------------------|
| | 31:5 | RO | - | Reserved |
| | 4:0 | DRW | | Register number to be read |

B.17 Debug interrupt type: 0x15

Register that specifies what activated the debug interrupt.

| 0x15: Debug interrupt type | Bits | Perm | Init | Description |
|---|-------|------|------|--|
| | 31:18 | RO | - | Reserved |
| | 17:16 | DRW | | Number of the hardware breakpoint/watchpoint which caused the interrupt (always 0 for =HOST= and =DCALL=). If multiple breakpoints/watchpoints trigger at once, the lowest number is taken. |
| | 15:8 | DRW | | Number of thread which caused the debug interrupt (always 0 in the case of =HOST=). |
| | 7:3 | RO | - | Reserved |
| | 2:0 | DRW | 0 | Indicates the cause of the debug interrupt 1: Host initiated a debug interrupt through JTAG 2: Program executed a DCALL instruction 3: Instruction breakpoint 4: Data watch point 5: Resource watch point |

B.18 Debug interrupt data: 0x16

On a data watchpoint, this register contains the effective address of the memory operation that triggered the debugger. On a resource watchpoint, it contains the resource identifier.

0x16:
Debug
interrupt data

| Bits | Perm | Init | Description |
|------|------|------|-------------|
| 31:0 | DRW | | Value. |

B.19 Debug core control: 0x18

This register enables the debugger to temporarily disable logical cores. When returning from the debug interrupts, the cores set in this register will not execute. This enables single stepping to be implemented.

0x18:
Debug core
control

| Bits | Perm | Init | Description |
|------|------|------|---|
| 31:8 | RO | - | Reserved |
| 7:0 | DRW | | 1-hot vector defining which threads are stopped when not in debug mode. Every bit which is set prevents the respective thread from running. |

B.20 Debug scratch: 0x20 .. 0x27

A set of registers used by the debug ROM to communicate with an external debugger, for example over JTAG. This is the same set of registers as the [Debug Scratch registers in the xCORE tile configuration](#).

0x20 .. 0x27:
Debug
scratch

| Bits | Perm | Init | Description |
|------|------|------|-------------|
| 31:0 | DRW | | Value. |

B.21 Instruction breakpoint address: 0x30 .. 0x33

This register contains the address of the instruction breakpoint. If the PC matches this address, then a debug interrupt will be taken. There are four instruction breakpoints that are controlled individually.

0x30 .. 0x33:
Instruction
breakpoint
address

| Bits | Perm | Init | Description |
|------|------|------|-------------|
| 31:0 | DRW | | Value. |

B.22 Instruction breakpoint control: 0x40 .. 0x43

This register controls which logical cores may take an instruction breakpoint, and under which condition.

| Bits | Perm | Init | Description |
|-------|------|------|--|
| 31:24 | RO | - | Reserved |
| 23:16 | DRW | 0 | A bit for each thread in the machine allowing the breakpoint to be enabled individually for each thread. |
| 15:2 | RO | - | Reserved |
| 1 | DRW | 0 | When 0 break when PC == IBREAK_ADDR. When 1 = break when PC != IBREAK_ADDR. |
| 0 | DRW | 0 | When 1 the instruction breakpoint is enabled. |

0x40 .. 0x43:
Instruction
breakpoint
control

B.23 Data watchpoint address 1: 0x50 .. 0x53

This set of registers contains the first address for the four data watchpoints.

0x50 .. 0x53:
Data
watchpoint
address 1

| Bits | Perm | Init | Description |
|------|------|------|-------------|
| 31:0 | DRW | | Value. |

B.24 Data watchpoint address 2: 0x60 .. 0x63

This set of registers contains the second address for the four data watchpoints.

0x60 .. 0x63:
Data
watchpoint
address 2

| Bits | Perm | Init | Description |
|------|------|------|-------------|
| 31:0 | DRW | | Value. |

B.25 Data breakpoint control register: 0x70 .. 0x73

This set of registers controls each of the four data watchpoints.

0x70 .. 0x73:
Data
breakpoint
control
register

| Bits | Perm | Init | Description |
|-------|------|------|--|
| 31:24 | RO | - | Reserved |
| 23:16 | DRW | 0 | A bit for each thread in the machine allowing the breakpoint to be enabled individually for each thread. |
| 15:3 | RO | - | Reserved |
| 2 | DRW | 0 | When 1 the breakpoints will be triggered on loads. |
| 1 | DRW | 0 | Determines the break condition: 0 = A AND B, 1 = A OR B. |
| 0 | DRW | 0 | When 1 the instruction breakpoint is enabled. |

B.26 Resources breakpoint mask: 0x80 .. 0x83

This set of registers contains the mask for the four resource watchpoints.

0x80 .. 0x83:
Resources
breakpoint
mask

| Bits | Perm | Init | Description |
|------|------|------|-------------|
| 31:0 | DRW | | Value. |

B.27 Resources breakpoint value: 0x90 .. 0x93

This set of registers contains the value for the four resource watchpoints.

0x90 .. 0x93:
Resources
breakpoint
value

| Bits | Perm | Init | Description |
|------|------|------|-------------|
| 31:0 | DRW | | Value. |

B.28 Resources breakpoint control register: 0x9C .. 0x9F

This set of registers controls each of the four resource watchpoints.

0x9C .. 0x9F:
Resources
breakpoint
control
register

| Bits | Perm | Init | Description |
|-------|------|------|--|
| 31:24 | RO | - | Reserved |
| 23:16 | DRW | 0 | A bit for each thread in the machine allowing the breakpoint to be enabled individually for each thread. |
| 15:2 | RO | - | Reserved |
| 1 | DRW | 0 | When 0 break when condition A is met. When 1 = break when condition B is met. |
| 0 | DRW | 0 | When 1 the instruction breakpoint is enabled. |

C Tile Configuration

The xCORE Tile control registers can be accessed using configuration reads and writes (use `write_tile_config_reg(tileref, ...)` and `read_tile_config_reg(tileref, ...)` for reads and writes).

| Number | Perm | Description |
|--------------|------|--|
| 0x00 | CRO | Device identification |
| 0x01 | CRO | xCORE Tile description 1 |
| 0x02 | CRO | xCORE Tile description 2 |
| 0x04 | CRW | Control PSwitch permissions to debug registers |
| 0x05 | CRW | Cause debug interrupts |
| 0x06 | CRW | xCORE Tile clock divider |
| 0x07 | CRO | Security configuration |
| 0x20 .. 0x27 | CRW | Debug scratch |
| 0x40 | CRO | PC of logical core 0 |
| 0x41 | CRO | PC of logical core 1 |
| 0x42 | CRO | PC of logical core 2 |
| 0x43 | CRO | PC of logical core 3 |
| 0x44 | CRO | PC of logical core 4 |
| 0x45 | CRO | PC of logical core 5 |
| 0x46 | CRO | PC of logical core 6 |
| 0x47 | CRO | PC of logical core 7 |
| 0x60 | CRO | SR of logical core 0 |
| 0x61 | CRO | SR of logical core 1 |
| 0x62 | CRO | SR of logical core 2 |
| 0x63 | CRO | SR of logical core 3 |
| 0x64 | CRO | SR of logical core 4 |
| 0x65 | CRO | SR of logical core 5 |
| 0x66 | CRO | SR of logical core 6 |
| 0x67 | CRO | SR of logical core 7 |

Figure 34:
Summary

C.1 Device identification: 0x00

This register identifies the xCORE Tile

| Bits | Perm | Init | Description |
|-------|------|------|--|
| 31:24 | CRO | | Processor ID of this XCore. |
| 23:16 | CRO | | Number of the node in which this XCore is located. |
| 15:8 | CRO | | XCore revision. |
| 7:0 | CRO | | XCore version. |

0x00:
Device
identification

C.2 xCORE Tile description 1: 0x01

This register describes the number of logical cores, synchronisers, locks and channel ends available on this xCORE tile.

| Bits | Perm | Init | Description |
|-------|------|------|--------------------------|
| 31:24 | CRO | | Number of channel ends. |
| 23:16 | CRO | | Number of the locks. |
| 15:8 | CRO | | Number of synchronisers. |
| 7:0 | RO | - | Reserved |

0x01:
xCORE Tile
description 1

C.3 xCORE Tile description 2: 0x02

This register describes the number of timers and clock blocks available on this xCORE tile.

| Bits | Perm | Init | Description |
|-------|------|------|-------------------------|
| 31:16 | RO | - | Reserved |
| 15:8 | CRO | | Number of clock blocks. |
| 7:0 | CRO | | Number of timers. |

0x02:
xCORE Tile
description 2

C.4 Control PSwitch permissions to debug registers: 0x04

This register can be used to control whether the debug registers (marked with permission CRW) are accessible through the tile configuration registers. When this bit is set, write -access to those registers is disabled, preventing debugging of the xCORE tile over the interconnect.

| Bits | Perm | Init | Description |
|------|------|------|---|
| 31 | CRW | 0 | When 1 the PSwitch is restricted to RO access to all CRW registers from SSwitch, XCore(PS_DBG_Scratch) and JTAG |
| 30:1 | RO | - | Reserved |
| 0 | CRW | 0 | When 1 the PSwitch is restricted to RO access to all CRW registers from SSwitch |

0x04:
Control
PSwitch
permissions
to debug
registers

C.5 Cause debug interrupts: 0x05

This register can be used to raise a debug interrupt in this xCORE tile.

| Bits | Perm | Init | Description |
|------|------|------|---|
| 31:2 | RO | - | Reserved |
| 1 | CRW | 0 | 1 when the processor is in debug mode. |
| 0 | CRW | 0 | Request a debug interrupt on the processor. |

0x05:
Cause debug
interrupts

C.6 xCORE Tile clock divider: 0x06

This register contains the value used to divide the PLL clock to create the xCORE tile clock. The divider is enabled under control of the [tile control register](#)

| Bits | Perm | Init | Description |
|-------|------|------|---|
| 31 | CRW | 0 | Clock disable. Writing '1' will remove the clock to the tile. |
| 30:16 | RO | - | Reserved |
| 15:0 | CRW | 0 | Clock divider. |

0x06:
xCORE Tile
clock divider

C.7 Security configuration: 0x07

Copy of the security register as read from OTP.

0x07:
Security
configuration

| Bits | Perm | Init | Description |
|-------|------|------|---|
| 31 | CRO | | Disables write permission on this register |
| 30:15 | RO | - | Reserved |
| 14 | CRO | | Disable access to XCore's global debug |
| 13 | RO | - | Reserved |
| 12 | CRO | | lock all OTP sectors |
| 11:8 | CRO | | lock bit for each OTP sector |
| 7 | CRO | | Enable OTP redundancy |
| 6 | RO | - | Reserved |
| 5 | CRO | | Override boot mode and read boot image from OTP |
| 4 | CRO | | Disable JTAG access to the PLL/BOOT configuration registers |
| 3:1 | RO | - | Reserved |
| 0 | CRO | | Disable access to XCore's JTAG debug TAP |

C.8 Debug scratch: 0x20 .. 0x27

A set of registers used by the debug ROM to communicate with an external debugger, for example over the switch. This is the same set of registers as the [Debug Scratch registers in the processor status](#).

0x20 .. 0x27:
Debug
scratch

| Bits | Perm | Init | Description |
|------|------|------|-------------|
| 31:0 | CRW | | Value. |

C.9 PC of logical core 0: 0x40

Value of the PC of logical core 0.

0x40:
PC of logical
core 0

| Bits | Perm | Init | Description |
|------|------|------|-------------|
| 31:0 | CRO | | Value. |

C.10 PC of logical core 1: 0x41

Value of the PC of logical core 1.

0x41:
PC of logical
core 1

| Bits | Perm | Init | Description |
|------|------|------|-------------|
| 31:0 | CRO | | Value. |

C.11 PC of logical core 2: 0x42

Value of the PC of logical core 2.

0x42:
PC of logical
core 2

| Bits | Perm | Init | Description |
|------|------|------|-------------|
| 31:0 | CRO | | Value. |

C.12 PC of logical core 3: 0x43

Value of the PC of logical core 3.

0x43:
PC of logical
core 3

| Bits | Perm | Init | Description |
|------|------|------|-------------|
| 31:0 | CRO | | Value. |

C.13 PC of logical core 4: 0x44

Value of the PC of logical core 4.

0x44:
PC of logical
core 4

| Bits | Perm | Init | Description |
|------|------|------|-------------|
| 31:0 | CRO | | Value. |

C.14 PC of logical core 5: 0x45

Value of the PC of logical core 5.

0x45:
PC of logical
core 5

| Bits | Perm | Init | Description |
|------|------|------|-------------|
| 31:0 | CRO | | Value. |

C.15 PC of logical core 6: 0x46

Value of the PC of logical core 6.

0x46:
PC of logical
core 6

| Bits | Perm | Init | Description |
|------|------|------|-------------|
| 31:0 | CRO | | Value. |

C.16 PC of logical core 7: 0x47

Value of the PC of logical core 7.

0x47:
PC of logical
core 7

| Bits | Perm | Init | Description |
|------|------|------|-------------|
| 31:0 | CRO | | Value. |

C.17 SR of logical core 0: 0x60

Value of the SR of logical core 0

0x60:
SR of logical
core 0

| Bits | Perm | Init | Description |
|------|------|------|-------------|
| 31:0 | CRO | | Value. |

C.18 SR of logical core 1: 0x61

Value of the SR of logical core 1

0x61:
SR of logical
core 1

| Bits | Perm | Init | Description |
|------|------|------|-------------|
| 31:0 | CRO | | Value. |

C.19 SR of logical core 2: 0x62

Value of the SR of logical core 2

0x62:
SR of logical
core 2

| Bits | Perm | Init | Description |
|------|------|------|-------------|
| 31:0 | CRO | | Value. |

C.20 SR of logical core 3: 0x63

Value of the SR of logical core 3

0x63:
SR of logical
core 3

| Bits | Perm | Init | Description |
|------|------|------|-------------|
| 31:0 | CRO | | Value. |

C.21 SR of logical core 4: 0x64

Value of the SR of logical core 4

0x64:
SR of logical
core 4

| Bits | Perm | Init | Description |
|------|------|------|-------------|
| 31:0 | CRO | | Value. |

C.22 SR of logical core 5: 0x65

Value of the SR of logical core 5

0x65:
SR of logical
core 5

| Bits | Perm | Init | Description |
|------|------|------|-------------|
| 31:0 | CRO | | Value. |

C.23 SR of logical core 6: 0x66

Value of the SR of logical core 6

0x66:
SR of logical
core 6

| Bits | Perm | Init | Description |
|------|------|------|-------------|
| 31:0 | CRO | | Value. |

C.24 SR of logical core 7: 0x67

Value of the SR of logical core 7

0x67:
SR of logical
core 7

| Bits | Perm | Init | Description |
|------|------|------|-------------|
| 31:0 | CRO | | Value. |

D Node Configuration

The digital node control registers can be accessed using configuration reads and writes (use `write_node_config_reg(device, ...)` and `read_node_config_reg(device, ...)` for reads and writes).

| Number | Perm | Description |
|--------------|------|---------------------------------------|
| 0x00 | RO | Device identification |
| 0x01 | RO | System switch description |
| 0x04 | RW | Switch configuration |
| 0x05 | RW | Switch node identifier |
| 0x06 | RW | PLL settings |
| 0x07 | RW | System switch clock divider |
| 0x08 | RW | Reference clock |
| 0x09 | R | System JTAG device ID register |
| 0x0A | R | System USERCODE register |
| 0x0C | RW | Directions 0-7 |
| 0x0D | RW | Directions 8-15 |
| 0x10 | RW | DEBUG_N configuration, tile 0 |
| 0x11 | RW | DEBUG_N configuration, tile 1 |
| 0x1F | RO | Debug source |
| 0x20 .. 0x28 | RW | Link status, direction, and network |
| 0x40 .. 0x47 | RO | PLink status and network |
| 0x80 .. 0x88 | RW | Link configuration and initialization |
| 0xA0 .. 0xA7 | RW | Static link configuration |

Figure 35:
Summary

D.1 Device identification: 0x00

This register contains version and revision identifiers and the mode-pins as sampled at boot-time.

| Bits | Perm | Init | Description |
|-------|------|------|---|
| 31:24 | RO | - | Reserved |
| 23:16 | RO | | Sampled values of BootCtl pins on Power On Reset. |
| 15:8 | RO | | SSwitch revision. |
| 7:0 | RO | | SSwitch version. |

0x00:
Device
identification

D.2 System switch description: 0x01

This register specifies the number of processors and links that are connected to this switch.

0x01:
System
switch
description

| Bits | Perm | Init | Description |
|-------|------|------|--------------------------------------|
| 31:24 | RO | - | Reserved |
| 23:16 | RO | | Number of SLinks on the SSwitch. |
| 15:8 | RO | | Number of processors on the SSwitch. |
| 7:0 | RO | | Number of processors on the device. |

D.3 Switch configuration: 0x04

This register enables the setting of two security modes (that disable updates to the PLL or any other registers) and the header-mode.

0x04:
Switch
configuration

| Bits | Perm | Init | Description |
|------|------|------|---|
| 31 | RW | 0 | 0 = SSCTL registers have write access. 1 = SSCTL registers can not be written to. |
| 30:9 | RO | - | Reserved |
| 8 | RW | 0 | 0 = PLL_CTL_REG has write access. 1 = PLL_CTL_REG can not be written to. |
| 7:1 | RO | - | Reserved |
| 0 | RW | 0 | 0 = 2-byte headers, 1 = 1-byte headers (reset as 0). |

D.4 Switch node identifier: 0x05

This register contains the node identifier.

0x05:
Switch node
identifier

| Bits | Perm | Init | Description |
|-------|------|------|-----------------------------|
| 31:16 | RO | - | Reserved |
| 15:0 | RW | 0 | The unique ID of this node. |

D.5 PLL settings: 0x06

An on-chip PLL multiplies the input clock up to a higher frequency clock, used to clock the I/O, processor, and switch, see [Oscillator](#). Note: a write to this register will cause the tile to be reset.

| Bits | Perm | Init | Description |
|-------|------|------|--|
| 31 | RW | | If set to 1, the chip will not be reset |
| 30 | RW | | If set to 1, the chip will not wait for the PLL to re-lock. Only use this if a gradual change is made to the PLL |
| 29 | DW | | If set to 1, set the PLL to be bypassed |
| 28 | DW | | If set to 1, set the boot mode to boot from JTAG |
| 27:26 | RO | - | Reserved |
| 25:23 | RW | | Output divider value range from 1 (8'h0) to 250 (8'hF9). P value. |
| 22:21 | RO | - | Reserved |
| 20:8 | RW | | Feedback multiplication ratio, range from 1 (8'h0) to 255 (8'hFE). M value. |
| 7 | RO | - | Reserved |
| 6:0 | RW | | Oscillator input divider value range from 1 (8'h0) to 32 (8'h0F). N value. |

0x06:
PLL settings

D.6 System switch clock divider: 0x07

Sets the ratio of the PLL clock and the switch clock.

| Bits | Perm | Init | Description |
|-------|------|------|--------------------------|
| 31:16 | RO | - | Reserved |
| 15:0 | RW | 0 | SSwitch clock generation |

0x07:
System
switch clock
divider

D.7 Reference clock: 0x08

Sets the ratio of the PLL clock and the reference clock used by the node.

| Bits | Perm | Init | Description |
|-------|------|------|-----------------------------|
| 31:16 | RO | - | Reserved |
| 15:0 | RW | 3 | Software ref. clock divider |

0x08:
Reference
clock

D.8 System JTAG device ID register: 0x09

0x09:
System JTAG
device ID
register

| Bits | Perm | Init | Description |
|-------|------|------|-------------|
| 31:28 | RO | | |
| 27:12 | RO | | |
| 11:1 | RO | | |
| 0 | RO | | |

D.9 System USERCODE register: 0x0A

0x0A:
System
USERCODE
register

| Bits | Perm | Init | Description |
|-------|------|------|--|
| 31:18 | RO | | JTAG USERCODE value programmed into OTP SR |
| 17:0 | RO | | metal fixable ID code |

D.10 Directions 0-7: 0x0C

This register contains eight directions, for packets with a mismatch in bits 7..0 of the node-identifier. The direction in which a packet will be routed is governed by the most significant mismatching bit.

0x0C:
Directions
0-7

| Bits | Perm | Init | Description |
|-------|------|------|---|
| 31:28 | RW | 0 | The direction for packets whose dimension is 7. |
| 27:24 | RW | 0 | The direction for packets whose dimension is 6. |
| 23:20 | RW | 0 | The direction for packets whose dimension is 5. |
| 19:16 | RW | 0 | The direction for packets whose dimension is 4. |
| 15:12 | RW | 0 | The direction for packets whose dimension is 3. |
| 11:8 | RW | 0 | The direction for packets whose dimension is 2. |
| 7:4 | RW | 0 | The direction for packets whose dimension is 1. |
| 3:0 | RW | 0 | The direction for packets whose dimension is 0. |

D.11 Directions 8-15: 0x0D

This register contains eight directions, for packets with a mismatch in bits 15..8 of the node-identifier. The direction in which a packet will be routed is governed by the most significant mismatching bit.

0x0D:
Directions
8-15

| Bits | Perm | Init | Description |
|-------|------|------|---|
| 31:28 | RW | 0 | The direction for packets whose dimension is F. |
| 27:24 | RW | 0 | The direction for packets whose dimension is E. |
| 23:20 | RW | 0 | The direction for packets whose dimension is D. |
| 19:16 | RW | 0 | The direction for packets whose dimension is C. |
| 15:12 | RW | 0 | The direction for packets whose dimension is B. |
| 11:8 | RW | 0 | The direction for packets whose dimension is A. |
| 7:4 | RW | 0 | The direction for packets whose dimension is 9. |
| 3:0 | RW | 0 | The direction for packets whose dimension is 8. |

D.12 DEBUG_N configuration, tile 0: 0x10

Configures the behavior of the DEBUG_N pin.

0x10:
DEBUG_N con-
figuration,
tile 0

| Bits | Perm | Init | Description |
|------|------|------|---|
| 31:2 | RO | - | Reserved |
| 1 | RW | 0 | Set 1 to enable GlobalDebug to generate debug request to XCore. |
| 0 | RW | 0 | Set 1 to enable inDebug bit to drive GlobalDebug. |

D.13 DEBUG_N configuration, tile 1: 0x11

Configures the behavior of the DEBUG_N pin.

0x11:
DEBUG_N con-
figuration,
tile 1

| Bits | Perm | Init | Description |
|------|------|------|---|
| 31:2 | RO | - | Reserved |
| 1 | RW | 0 | Set 1 to enable GlobalDebug to generate debug request to XCore. |
| 0 | RW | 0 | Set 1 to enable inDebug bit to drive GlobalDebug. |

D.14 Debug source: 0x1F

Contains the source of the most recent debug event.

0x1F:
Debug source

| Bits | Perm | Init | Description |
|------|------|------|--|
| 31:5 | RO | - | Reserved |
| 4 | RW | | If set, external pin, is the source of last GlobalDebug event. |
| 3:2 | RO | - | Reserved |
| 1 | RW | | If set, XCore1 is the source of last GlobalDebug event. |
| 0 | RW | | If set, XCore0 is the source of last GlobalDebug event. |

D.15 Link status, direction, and network: 0x20 .. 0x28

These registers contain status information for low level debugging (read-only), the network number that each link belongs to, and the direction that each link is part of. The registers control links 0..7.

0x20 .. 0x28:
Link status,
direction, and
network

| Bits | Perm | Init | Description |
|-------|------|------|---|
| 31:26 | RO | - | Reserved |
| 25:24 | RO | | Identify the SRC_TARGET type 0 - SLink, 1 - PLink, 2 - SSCTL, 3 - Undefine. |
| 23:16 | RO | | When the link is in use, this is the destination link number to which all packets are sent. |
| 15:12 | RO | - | Reserved |
| 11:8 | RW | 0 | The direction that this link operates in. |
| 7:6 | RO | - | Reserved |
| 5:4 | RW | 0 | Determines the network to which this link belongs, reset as 0. |
| 3 | RO | - | Reserved |
| 2 | RO | | 1 when the current packet is considered junk and will be thrown away. |
| 1 | RO | | 1 when the dest side of the link is in use. |
| 0 | RO | | 1 when the source side of the link is in use. |

D.16 PLink status and network: 0x40 .. 0x47

These registers contain status information and the network number that each processor-link belongs to.

0x40 .. 0x47:
PLink status
and network

| Bits | Perm | Init | Description |
|-------|------|------|---|
| 31:26 | RO | - | Reserved |
| 25:24 | RO | | Identify the SRC_TARGET type 0 - SLink, 1 - PLink, 2 - SSCTL, 3 - Undefine. |
| 23:16 | RO | | When the link is in use, this is the destination link number to which all packets are sent. |
| 15:6 | RO | - | Reserved |
| 5:4 | RW | 0 | Determines the network to which this link belongs, reset as 0. |
| 3 | RO | - | Reserved |
| 2 | RO | | 1 when the current packet is considered junk and will be thrown away. |
| 1 | RO | | 1 when the dest side of the link is in use. |
| 0 | RO | | 1 when the source side of the link is in use. |

D.17 Link configuration and initialization: 0x80 .. 0x88

These registers contain configuration and debugging information specific to external links. The link speed and width can be set, the link can be initialized, and the link status can be monitored. The registers control links 0..7.

0x80 .. 0x88:
Link
configuration
and
initialization

| Bits | Perm | Init | Description |
|-------|------|------|---|
| 31 | RW | | Write to this bit with '1' will enable the XLink, writing '0' will disable it. This bit controls the muxing of ports with overlapping xlinks. |
| 30 | RW | 0 | 0: operate in 2 wire mode; 1: operate in 5 wire mode |
| 29:28 | RO | - | Reserved |
| 27 | RO | | Rx buffer overflow or illegal token encoding received. |
| 26 | RO | 0 | This end of the xlink has issued credit to allow the remote end to transmit |
| 25 | RO | 0 | This end of the xlink has credit to allow it to transmit. |
| 24 | WO | | Clear this end of the xlink's credit and issue a HELLO token. |
| 23 | WO | | Reset the receiver. The next symbol that is detected will be the first symbol in a token. |
| 22 | RO | - | Reserved |
| 21:11 | RW | 0 | Specify min. number of idle system clocks between two continuous symbols within a transmit token -1. |
| 10:0 | RW | 0 | Specify min. number of idle system clocks between two continuous transmit tokens -1. |

D.18 Static link configuration: 0xA0 .. 0xA7

These registers are used for static (ie, non-routed) links. When a link is made static, all traffic is forwarded to the designated channel end and no routing is attempted. The registers control links C, D, A, B, G, H, E, and F in that order.

0xA0 .. 0xA7:
Static link
configuration

| Bits | Perm | Init | Description |
|------|------|------|---|
| 31 | RW | 0 | Enable static forwarding. |
| 30:9 | RO | - | Reserved |
| 8 | RW | 0 | The destination processor on this node that packets received in static mode are forwarded to. |
| 7:5 | RO | - | Reserved |
| 4:0 | RW | 0 | The destination channel end on this node that packets received in static mode are forwarded to. |

E USB Node Configuration

The USB node control registers can be accessed using configuration reads and writes (use `write_node_config_reg(device, ...)` and `read_node_config_reg(device, ...)` for reads and writes).

| Number | Perm | Description |
|--------|------|--|
| 0x00 | RO | Device identification register |
| 0x04 | RW | Node configuration register |
| 0x05 | RW | Node identifier |
| 0x51 | RW | System clock frequency |
| 0x80 | RW | Link Control and Status |

Figure 36:
Summary

E.1 Device identification register: 0x00

This register contains version information, and information on power-on behavior.

| Bits | Perm | Init | Description |
|-------|------|------|----------------------------------|
| 31:24 | RO | 0x0F | Chip identifier |
| 23:16 | RO | - | Reserved |
| 15:8 | RO | 0x02 | Revision number of the USB block |
| 7:0 | RO | 0x00 | Version number of the USB block |

0x00:
Device
identification
register

E.2 Node configuration register: 0x04

This register is used to set the communication model to use (1 or 3 byte headers), and to prevent any further updates.

| Bits | Perm | Init | Description |
|------|------|------|--|
| 31 | RW | 0 | Set to 1 to disable further updates to the node configuration and link control and status registers. |
| 30:1 | RO | - | Reserved |
| 0 | RW | 0 | Header mode. 0: 3-byte headers; 1: 1-byte headers. |

0x04:
Node
configuration
register

E.3 Node identifier: 0x05

0x05:
Node
identifier

| Bits | Perm | Init | Description |
|-------|------|------|---|
| 31:16 | RO | - | Reserved |
| 15:0 | RW | 0 | 16-bit node identifier. This does not need to be set, and is present for compatibility with XS1-switches. |

E.4 System clock frequency: 0x51

0x51:
System clock
frequency

| Bits | Perm | Init | Description |
|------|------|------|---|
| 31:7 | RO | - | Reserved |
| 6:0 | RW | 25 | Oscillator clock frequency in MHz rounded up to the nearest integer value. Only values between 5 and 100 MHz are valid - writes outside this range are ignored and will be NACKed. This field must be set on start up of the device and any time that the input oscillator clock frequency is changed. It must contain the system clock frequency in MHz rounded up to the nearest integer value. |

E.5 Link Control and Status: 0x80

0x80:
Link Control
and Status

| Bits | Perm | Init | Description |
|-------|------|------|--|
| 31:28 | RO | - | Reserved |
| 27 | RO | | Rx buffer overflow or illegal token encoding received. |
| 26 | RO | 0 | This end of the xlink has issued credit to allow the remote end to transmit |
| 25 | RO | 0 | This end of the xlink has credit to allow it to transmit. |
| 24 | WO | | Clear this end of the xlink's credit and issue a HELLO token. |
| 23 | WO | | Reset the receiver. The next symbol that is detected will be the first symbol in a token. |
| 22 | RO | - | Reserved |
| 21:11 | RW | 1 | Specify min. number of idle system clocks between two continuous symbols within a transmit token -1. |
| 10:0 | RW | 1 | Specify min. number of idle system clocks between two continuous transmit tokens -1. |

F USB PHY Configuration

The USB PHY is connected to the ports shown in section 10.

The *USB PHY* is peripheral 1. The control registers are accessed using 32-bit reads and writes (use `write_periph_32(device, 1, ...)` and `read_periph_32(device, ↪ 1, ...)` for reads and writes).

| Number | Perm | Description |
|--------|------|---|
| 0x00 | WO | UIFM reset |
| 0x04 | RW | UIFM IFM control |
| 0x08 | RW | UIFM Device Address |
| 0x0C | RW | UIFM functional control |
| 0x10 | RW | UIFM on-the-go control |
| 0x14 | RO | UIFM on-the-go flags |
| 0x18 | RW | UIFM Serial Control |
| 0x1C | RW | UIFM signal flags |
| 0x20 | RW | UIFM Sticky flags |
| 0x24 | RW | UIFM port masks |
| 0x28 | RW | UIFM SOF value |
| 0x2C | RO | UIFM PID |
| 0x30 | RO | UIFM Endpoint |
| 0x34 | RW | UIFM Endpoint match |
| 0x38 | RW | OTG Flags mask |
| 0x3C | RW | UIFM power signalling |
| 0x40 | RW | UIFM PHY control |

Figure 37:
Summary

F.1 UIFM reset: 0x00

A write to this register with any data resets all UIFM state, but does not otherwise affect the phy.

0x00:
UIFM reset

| Bits | Perm | Init | Description |
|------|------|------|-------------|
| 31:0 | WO | | Value. |

F.2 UIFM IFM control: 0x04

General settings of the UIFM IFM state machine.

| Bits | Perm | Init | Description |
|------|------|------|--|
| 31:8 | RO | - | Reserved |
| 7 | RW | 0 | Set to 1 to enable XEVACKMODE mode. |
| 6 | RW | 0 | Set to 1 to enable SOFISTOKEN mode. |
| 5 | RW | 0 | Set to 1 to enable UIFM power signalling mode. |
| 4 | RW | 0 | Set to 1 to enable IF timing mode. |
| 3 | RO | - | Reserved |
| 2 | RW | 0 | Set to 1 to enable UIFM linestate decoder. |
| 1 | RW | 0 | Set to 1 to enable UIFM CHECKTOKENS mode. |
| 0 | RW | 0 | Set to 1 to enable UIFM DOTOKENS mode. |

0x04:
UIFM IFM
control

F.3 UIFM Device Address: 0x08

The device address whose packets should be received. 0 until enumeration, it should be set to the assigned value after enumeration.

| Bits | Perm | Init | Description |
|------|------|------|--|
| 31:7 | RO | - | Reserved |
| 6:0 | RW | 0 | The enumerated USB device address must be stored here. Only packets to this address are passed on. |

0x08:
UIFM Device
Address

F.4 UIFM functional control: 0x0C

| Bits | Perm | Init | Description |
|------|------|------|---|
| 31:5 | RO | - | Reserved |
| 4:2 | RW | 1 | Set to 0 to disable UIFM to UTMI+ OPMODE mode. |
| 1 | RW | 1 | Set to 1 to switch UIFM to UTMI+ TERMSELECT mode. |
| 0 | RW | 1 | Set to 1 to switch UIFM to UTMI+ XCVRSELECT mode. |

0x0C:
UIFM
functional
control

F.5 UIFM on-the-go control: 0x10

This register is used to negotiate an on-the-go connection.

0x10:
UIFM
on-the-go
control

| Bits | Perm | Init | Description |
|------|------|------|--|
| 31:8 | RO | - | Reserved |
| 7 | RW | 0 | Set to 1 to switch UIFM to EXTVBUSIND mode. |
| 6 | RW | 0 | Set to 1 to switch UIFM to DRVVBUSEXT mode. |
| 5 | RO | - | Reserved |
| 4 | RW | 0 | Set to 1 to switch UIFM to UTMI+ CHRGVBUS mode. |
| 3 | RW | 0 | Set to 1 to switch UIFM to UTMI+ DISCHRGVBUS mode. |
| 2 | RW | 0 | Set to 1 to switch UIFM to UTMI+ DMPULLDOWN mode. |
| 1 | RW | 0 | Set to 1 to switch UIFM to UTMI+ DPPULLDOWN mode. |
| 0 | RW | 0 | Set to 1 to switch UIFM to IDPULLUP mode. |

F.6 UIFM on-the-go flags: 0x14

Status flags used for on-the-go negotiation

0x14:
UIFM
on-the-go
flags

| Bits | Perm | Init | Description |
|------|------|------|------------------------------|
| 31:6 | RO | - | Reserved |
| 5 | RO | 0 | Value of UTMI+ Bvalid flag. |
| 4 | RO | 0 | Value of UTMI+ IDGND flag. |
| 3 | RO | 0 | Value of UTMI+ HOSTDIS flag. |
| 2 | RO | 0 | Value of UTMI+ VBUSVLD flag. |
| 1 | RO | 0 | Value of UTMI+ SESSVLD flag. |
| 0 | RO | 0 | Value of UTMI+ SESEND flag. |

F.7 UIFM Serial Control: 0x18

0x18:
UIFM Serial
Control

| Bits | Perm | Init | Description |
|------|------|------|--|
| 31:7 | RO | - | Reserved |
| 6 | RO | 0 | 1 if UIFM is in UTMI+ RXRCV mode. |
| 5 | RO | 0 | 1 if UIFM is in UTMI+ RXDM mode. |
| 4 | RO | 0 | 1 if UIFM is in UTMI+ RXDP mode. |
| 3 | RW | 0 | Set to 1 to switch UIFM to UTMI+ TXSE0 mode. |
| 2 | RW | 0 | Set to 1 to switch UIFM to UTMI+ TXDATA mode. |
| 1 | RW | 1 | Set to 0 to switch UIFM to UTMI+ TXENABLE mode. |
| 0 | RW | 0 | Set to 1 to switch UIFM to UTMI+ FLSLSSERIAL mode. |

F.8 UIFM signal flags: 0x1C

Set of flags that monitor line and error states. These flags normally clear on the next packet, but they may be made sticky by using PER_UIFM_FLAGS_STICKY, in which they must be cleared explicitly.

0x1C:
UIFM signal
flags

| Bits | Perm | Init | Description |
|------|------|------|---|
| 31:7 | RO | - | Reserved |
| 6 | RW | 0 | Set to 1 when the UIFM decodes a token successfully (e.g. it passes CRC5, PID check and has matching device address). |
| 5 | RW | 0 | Set to 1 when linestate indicates an SE0 symbol. |
| 4 | RW | 0 | Set to 1 when linestate indicates a K symbol. |
| 3 | RW | 0 | Set to 1 when linestate indicates a J symbol. |
| 2 | RW | 0 | Set to 1 if an incoming datapacket fails the CRC16 check. |
| 1 | RW | 0 | Set to the value of the UTMI_RXACTIVE input signal. |
| 0 | RW | 0 | Set to the value of the UTMI_RXERROR input signal |

F.9 UIFM Sticky flags: 0x20

These bits define the sticky-ness of the bits in the UIFM IFM FLAGS register. A 1 means that bit will be sticky (hold its value until a 1 is written to that bitfield), or normal, in which case signal updates to the UIFM IFM FLAGS bits may be over-written by subsequent changes in those signals.

| 0x20: UIFM Sticky flags | Bits | Perm | Init | Description |
|-------------------------------|------|------|------|---------------------------|
| | 31:7 | RO | - | Reserved |
| | 6:0 | RW | 0 | Stickyness for each flag. |

F.10 UIFM port masks: 0x24

Set of masks that identify how port 1N, port 1O and port 1P are affected by changes to the flags in FLAGS

| 0x24: UIFM port masks | Bits | Perm | Init | Description |
|-----------------------------|-------|------|------|---|
| | 31:24 | RW | 0 | Bit mask that determines which flags in UIFM_IFM_FLAG[6:0] contribute to port 1?. If any flag listed in this bitmask is high, port 1? will be high. |
| | 23:16 | RW | 0 | Bit mask that determines which flags in UIFM_IFM_FLAG[6:0] contribute to port 1P. If any flag listed in this bitmask is high, port 1P will be high. |
| | 15:8 | RW | 0 | Bit mask that determines which flags in UIFM_IFM_FLAG[6:0] contribute to port 1O. If any flag listed in this bitmask is high, port 1O will be high. |
| | 7:0 | RW | 0 | Bit mask that determines which flags in UIFM_IFM_FLAG[6:0] contribute to port 1N. If any flag listed in this bitmask is high, port 1N will be high. |

F.11 UIFM SOF value: 0x28

USB Start-Of-Frame counter

| 0x28: UIFM SOF value | Bits | Perm | Init | Description |
|----------------------------|-------|------|---|--|
| | 31:11 | RO | - | Reserved |
| | 10:8 | RW | 0 | Most significant 3 bits of SOF counter |
| 7:0 | RW | 0 | Least significant 8 bits of SOF counter | |

F.12 UIFM PID: 0x2C

The last USB packet identifier received

| | Bits | Perm | Init | Description |
|--------------------------|------|------|------|---------------------------------|
| 0x2C: UIFM PID | 31:4 | RO | - | Reserved |
| | 3:0 | RO | 0 | Value of the last received PID. |

F.13 UIFM Endpoint: 0x30

The last endpoint seen

| | Bits | Perm | Init | Description |
|----------------------------------|------|------|------|---------------------------------------|
| 0x30: UIFM Endpoint | 31:5 | RO | - | Reserved |
| | 4 | RO | 0 | 1 if endpoint contains a valid value. |
| | 3:0 | RO | 0 | A copy of the last received endpoint. |

F.14 UIFM Endpoint match: 0x34

This register can be used to mark UIFM endpoints as special.

| | Bits | Perm | Init | Description |
|---|-------|------|------|--|
| 0x34: UIFM Endpoint match | 31:16 | RO | - | Reserved |
| | 15:0 | RW | 0 | This register contains a bit for each endpoint. If its bit is set, the endpoint will be supplied on the RX port when ORed with 0x10. |

F.15 OTG Flags mask: 0x38

| | Bits | Perm | Init | Description |
|-----------------------------------|------|------|------|-------------|
| 0x38: OTG Flags mask | 31:0 | RW | 0 | Data |

F.16 UIFM power signalling: 0x3C

| | Bits | Perm | Init | Description |
|--|------|------|------|-------------|
| 0x3C: UIFM power signalling | 31:9 | RO | - | Reserved |
| | 8 | RW | 0 | Valid |
| | 7:0 | RW | 0 | Data |

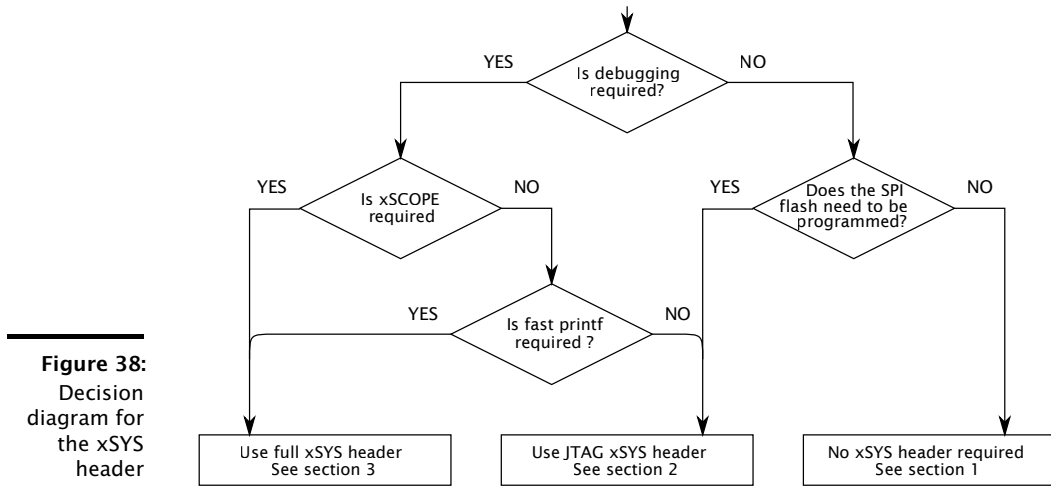
F.17 UIFM PHY control: 0x40

| Bits | Perm | Init | Description |
|-------|------|------|--|
| 31:19 | RO | - | Reserved |
| 18 | RW | 0 | Set to 1 to disable pulldowns on ports 8A and 8B. |
| 17:14 | RO | - | Reserved |
| 13 | RW | 0 | After an auto-resume, this bit is set to indicate that the resume signalling was for reset (se0). Set to 0 to clear. |
| 12 | RW | 0 | After an auto-resume, this bit is set to indicate that the resume signalling was for resume (K). Set to 0 to clear. |
| 11:8 | RW | 0 | Log-2 number of clocks before any linestate change is propagated. |
| 7 | RW | 0 | Set to 1 to use the suspend controller handle to resume from suspend. Otherwise, the program has to poll the linestate_filt field in phy_teststatus. |
| 6:4 | RW | 0 | Control the the conf1,2,3 input pins of the PHY. |
| 3:0 | RO | - | Reserved |

0x40:
UIFM PHY
control

G JTAG, xSCOPE and Debugging

If you intend to design a board that can be used with the XMOS toolchain and xTAG debugger, you will need an xSYS header on your board. Figure 38 shows a decision diagram which explains what type of xSYS connectivity you need. The three subsections below explain the options in detail.



G.1 No xSYS header

The use of an xSYS header is optional, and may not be required for volume production designs. However, the XMOS toolchain expects the xSYS header; if you do not have an xSYS header then you must provide your own method for writing to flash/OTP and for debugging.

G.2 JTAG-only xSYS header

The xSYS header connects to an xTAG debugger, which has a 20-pin 0.1" female IDC header. The design will hence need a male IDC header. We advise to use a boxed header to guard against incorrect plug-ins. If you use a 90 degree angled header, make sure that pins 2, 4, 6, ..., 20 are along the edge of the PCB.

Connect pins 4, 8, 12, 16, 20 of the xSYS header to ground, and then connect:

- ▶ TDI to pin 5 of the xSYS header
- ▶ TMS to pin 7 of the xSYS header
- ▶ TCK to pin 9 of the xSYS header
- ▶ DEBUG_N to pin 11 of the xSYS header

- ▶ TDO to pin 13 of the xSYS header

The RST_N net should be open-drain, active-low, and have a pull-up to VDDIO.

G.3 Full xSYS header

For a full xSYS header you will need to connect the pins as discussed in Section G.2, and then connect a 2-wire xCONNECT Link to the xSYS header. The links can be found in the Signal description table (Section 4): they are labelled XL0, XL1, etc in the function column. The 2-wire link comprises two inputs and outputs, labelled ${}^1_{out}$, ${}^0_{out}$, ${}^0_{in}$, and ${}^1_{in}$. For example, if you choose to use XL0 for xSCOPE I/O, you need to connect up $XL0^1_{out}$, $XL0^0_{out}$, $XL0^0_{in}$, $XL0^1_{in}$ as follows:

- ▶ $XL0^1_{out}$ (X0D43) to pin 6 of the xSYS header with a 33R series resistor close to the device.
- ▶ $XL0^0_{out}$ (X0D42) to pin 10 of the xSYS header with a 33R series resistor close to the device.
- ▶ $XL0^0_{in}$ (X0D41) to pin 14 of the xSYS header.
- ▶ $XL0^1_{in}$ (X0D40) to pin 18 of the xSYS header.

H Schematics Design Check List

- This section is a checklist for use by schematics designers using the XU212-512-FB236. Each of the following sections contains items to check for each design.

H.1 Power supplies

- VDDIO and OTP_VCC supply is within specification before the VDD (core) supply is turned on. Specifically, the VDDIO and OTP_VCC supply is within specification before VDD (core) reaches 0.4V (Section 12).
- The VDD (core) supply ramps monotonically (rises constantly) from 0V to its final value (0.95V - 1.05V) within 10ms (Section 12).
- The VDD (core) supply is capable of supplying 700 mA (Section 12 and Figure 21).
- PLL_AVDD is filtered with a low pass filter, for example an RC filter, see Section 12

H.2 Power supply decoupling

- The design has multiple decoupling capacitors per supply, for example at least four 0402 or 0603 size surface mount capacitors of 100nF in value, per supply (Section 12).
- A bulk decoupling capacitor of at least 10uF is placed on each supply (Section 12).

H.3 Power on reset

- The RST_N and TRST_N pins are asserted (low) during or after power up. The device is not used until these resets have taken place.

H.4 Clock

- The CLK input pin is supplied with a clock with monotonic rising edges and low jitter.
- Pins MODE0 and MODE1 are set to the correct value for the chosen oscillator frequency. The MODE settings are shown in the Oscillator section, Section 7. If you have a choice between two values, choose the value with the highest multiplier ratio since that will boot faster.

H.5 Boot

- The device is connected to a QSPI flash for booting, connected to X0D01, X0D04..X0D07, and X0D10 (Section 8). If not, you must boot the device through OTP or JTAG, or set it to boot from SPI and connect a SPI flash.
- The Flash that you have chosen is supported by **xflash**, or you have created a specification file for it.

H.6 JTAG, XScope, and debugging

- You have decided as to whether you need an XSYS header or not (Section G)
- If you have not included an XSYS header, you have devised a method to program the SPI-flash or OTP (Section G).

H.7 GPIO

- You have not mapped both inputs and outputs to the same multi-bit port.
- Pins X0D04, X0D05, X0D06, and X0D07 are output only and are, during and after reset, pulled high and low appropriately (Section 8)

H.8 Multi device designs

Skip this section if your design only includes a single XMOS device.

- One device is connected to a QSPI or SPI flash for booting.
- Devices that boot from link have, for example, X0D06 pulled high and have link XL0 connected to a device to boot from (Section 8).

I PCB Layout Design Check List

- This section is a checklist for use by PCB designers using the XS2-U12A-512-FB236. Each of the following sections contains items to check for each design.

I.1 Ground Plane

- Each ground ball has a via to minimize impedance and conduct heat away from the device. (Section [12.4](#))
- Other than ground vias, there are no (or only a few) vias underneath or closely around the device. This create a good, solid, ground plane.

I.2 Power supply decoupling

- The decoupling capacitors are all placed close to a supply pin (Section [12](#)).
- The decoupling capacitors are spaced around the device (Section [12](#)).
- The ground side of each decoupling capacitor has a direct path back to the center ground of the device.

I.3 PLL_AVDD

- The PLL_AVDD filter (especially the capacitor) is placed close to the PLL_AVDD pin (Section [12](#)).

J Associated Design Documentation

| Document Title | Information | Document Number |
|--|--|-----------------------|
| Estimating Power Consumption For XS1-U Devices | Power consumption | |
| Programming XC on XMOS Devices | Timers, ports, clocks, cores and channels | X9577 |
| xTIMEcomposer User Guide | Compilers, assembler and linker/mapper Timing analyzer, xScope, debugger Flash and OTP programming utilities | X3766 |

K Related Documentation

| Document Title | Information | Document Number |
|--|-------------------------------------|-----------------------|
| The XMOS XS1 Architecture | ISA manual | X7879 |
| XS1 Port I/O Timing | Port timings | X5821 |
| xCONNECT Architecture | Link, switch and system information | X4249 |
| XS1-U Link Performance and Design Guidelines | Link timings | |
| XS1-U Clock Frequency Control | Advanced clock control | |

L Revision History

| Date | Description |
|------------|--|
| 2015-03-20 | Preliminary release |
| 2015-04-14 | Added RST to pins to be pulled hard, and removed reference to TCK from Errata Removed TRST_N references in packages that have no TRST_N |
| 2015-05-06 | Removed references to DEBUG_N |
| 2015-07-09 | Updated electrical characteristics - Section 13 |
| 2015-08-19 | Added I(USB_VDD) - Section 13 Added USB layout guidelines - Section 12 |
| 2015-08-27 | Updated part marking - Section 15 |
| 2016-04-20 | Typical internal pull-up and pull down current diagrams added - Section 13 |



Copyright © 2016, All Rights Reserved.

Xmos Ltd. is the owner or licensee of this design, code, or Information (collectively, the "Information") and is providing it to you "AS IS" with no warranty of any kind, express or implied and shall have no liability in relation to its use. Xmos Ltd. makes no representation that the Information, or any particular implementation thereof, is or will be free from any claims of infringement and again, shall have no liability in relation to any such claims.